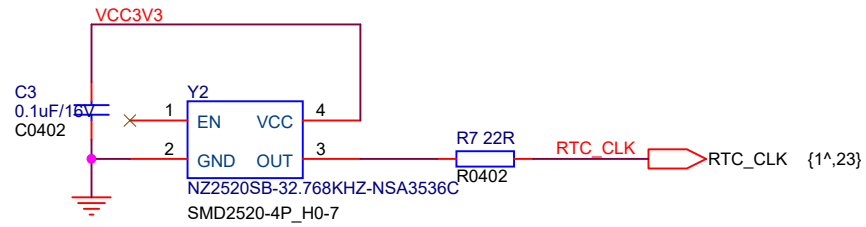
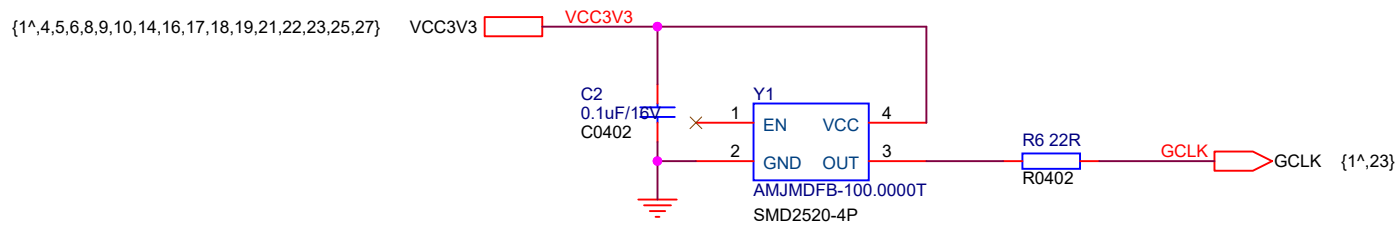
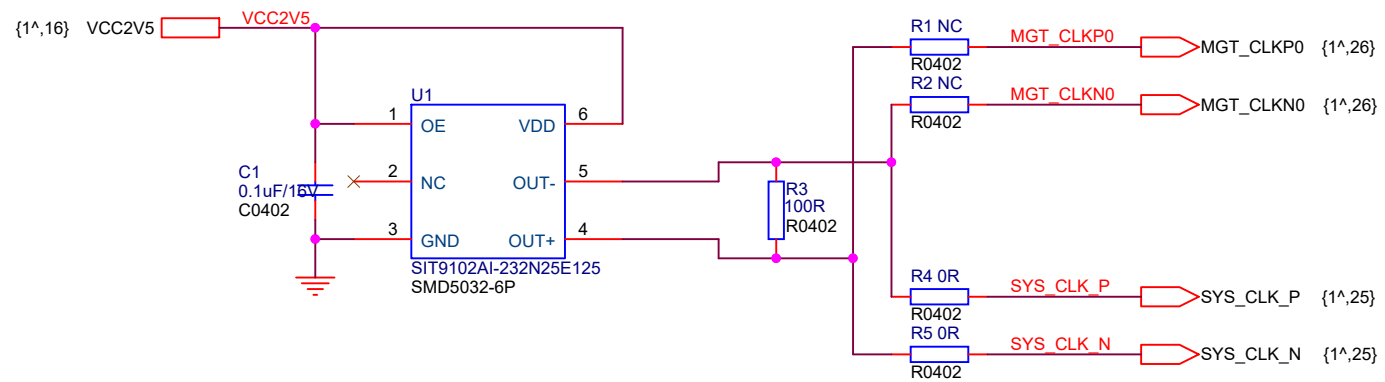
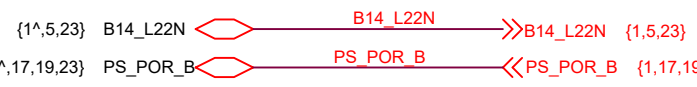
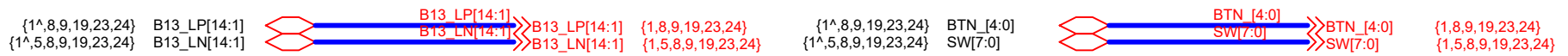
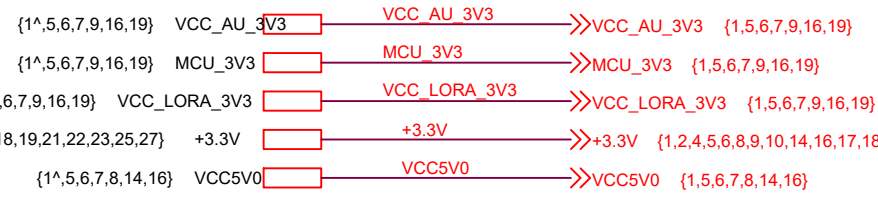


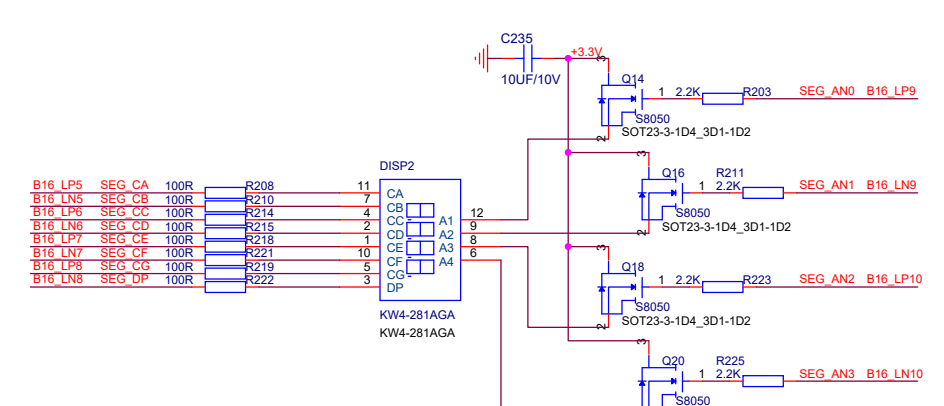
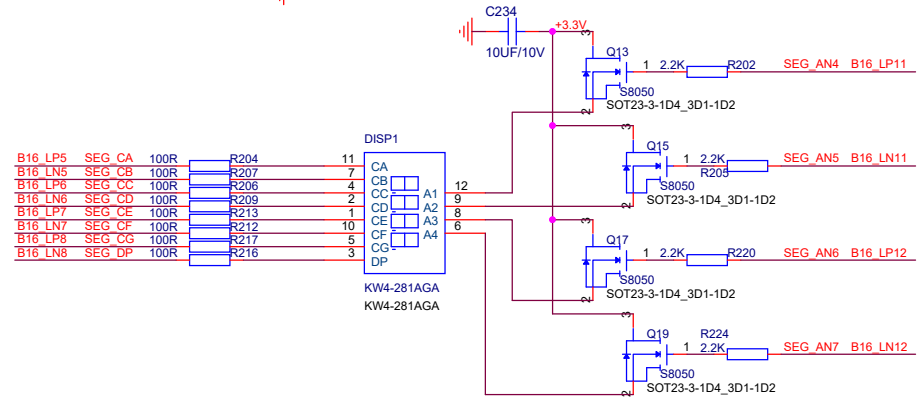
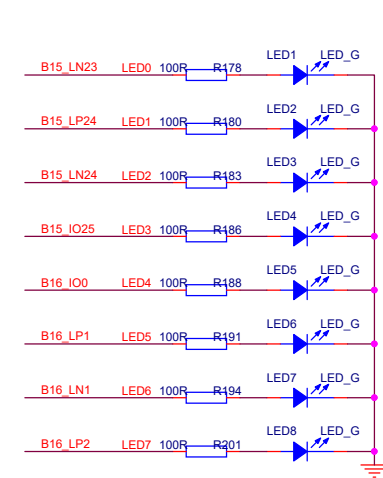
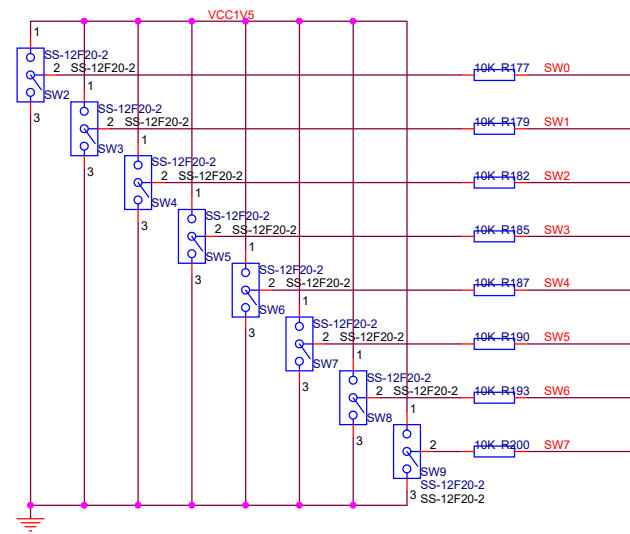
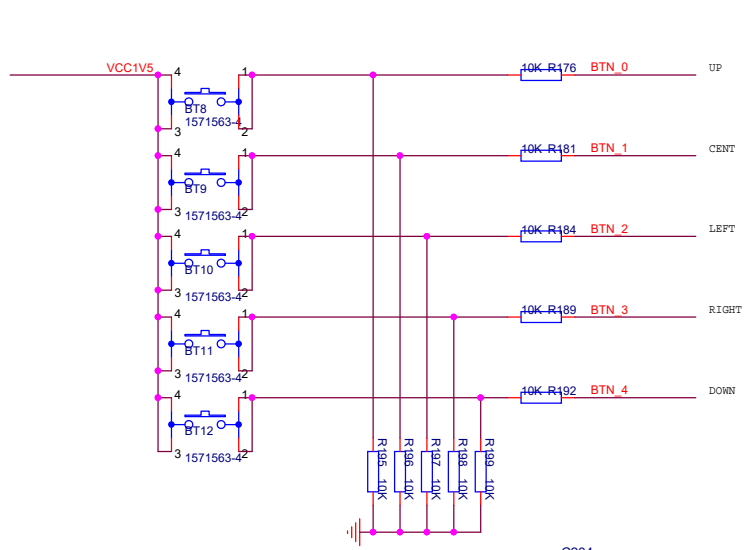
Title		<Title>
Size	Document Number	Rev
A3	<Doc>	<Rev Code>
Date:	Saturday, August 22, 2020	Sheet 1 of 28



Title		
<Title>		
Size	Document Number	Rev
A4	<Doc>	<RevC>
Date:	Saturday, August 22, 2020	Sheet 2 of 28



Title			<Title>
Size	Document Number		Rev
A4	<Doc>		<Rev>
Date:	Saturday, August 22, 2020	Sheet	3 of 28



{1,2,5,6,8,9,10,14,16,17,18,19,21,22,23,25,27} +3.3V << +3.3V

{1,12,16,17,25,27} VCC1V5 >> VCC1V5

- {1,24} B16_IO0 << B16_IO0 LED4
- {1,24} B16_LP1 << B16_LP1 LED5
- {1,24} B16_LN1 << B16_LN1 LED6
- {1,24} B16_LP2 << B16_LP2 LED7
- {1,24} B16_LP5 << B16_LP5 SEG_CA
- {1,24} B16_LN5 << B16_LN5 SEG_CB
- {1,24} B16_LP6 << B16_LP6 SEG_CC
- {1,24} B16_LN6 << B16_LN6 SEG_CD
- {1,24} B16_LP7 << B16_LP7 SEG_CE
- {1,24} B16_LN7 << B16_LN7 SEG_CF
- {1,24} B16_LP8 << B16_LP8 SEG_CG
- {1,24} B16_LN8 << B16_LN8 SEG_DP
- {1,24} B16_LP9 << B16_LP9 SEG_AN0
- {1,24} B16_LN9 << B16_LN9 SEG_AN1
- {1,24} B16_LP10 << B16_LP10 SEG_AN2
- {1,24} B16_LN10 << B16_LN10 SEG_AN3
- {1,24} B16_LP11 << B16_LP11 SEG_AN4
- {1,24} B16_LN11 << B16_LN11 SEG_AN5
- {1,24} B16_LP12 << B16_LP12 SEG_AN6
- {1,24} B16_LN12 << B16_LN12 SEG_AN7

BTN [4:0] >> BTN [4:0] {1,8,9,19,23,24}

SW [7:0] >> SW [7:0] {1,5,8,9,19,23,24}

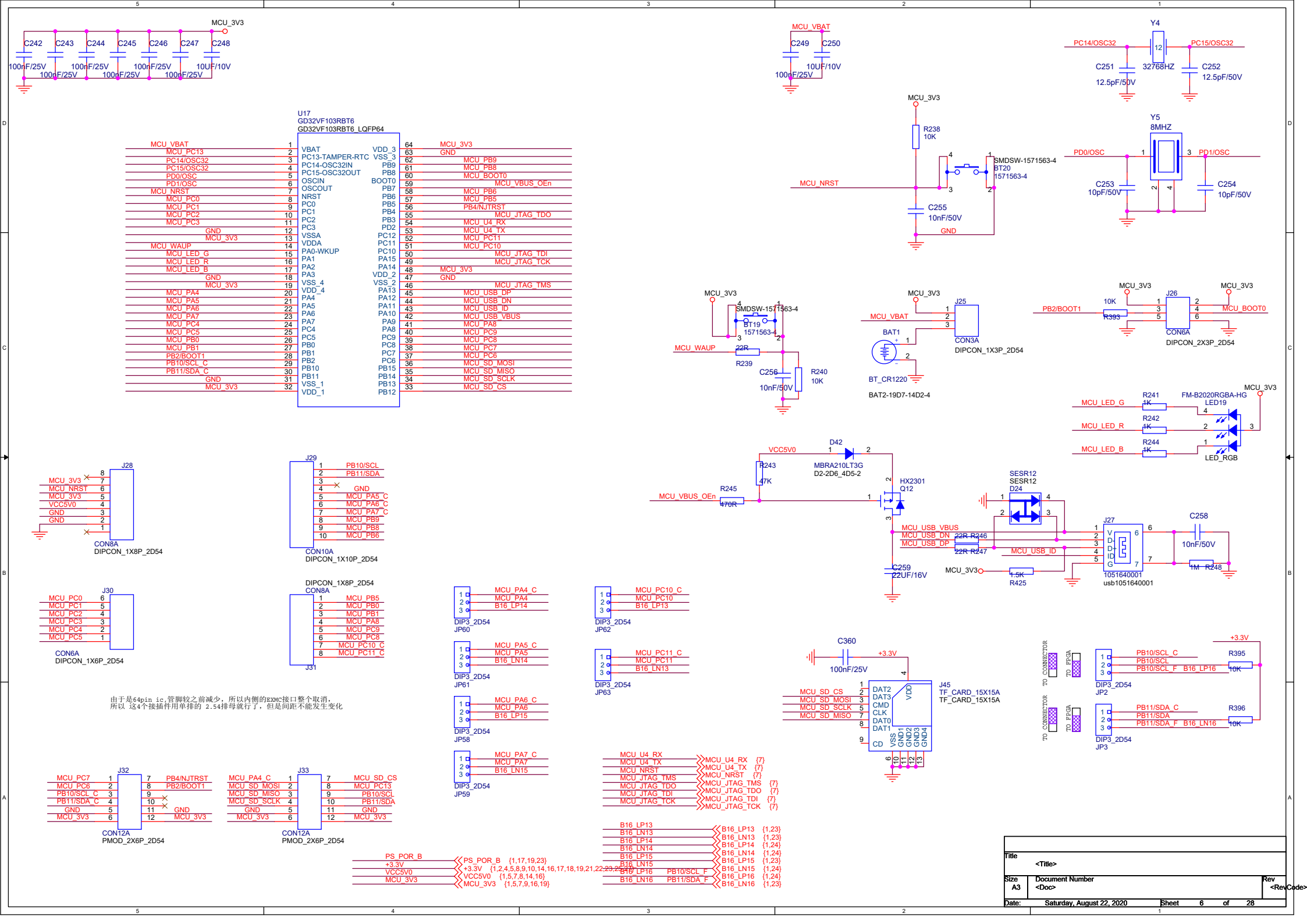
{1,24} B15_LN23 << B15_LN23 LED0

{1,24} B15_LP24 << B15_LP24 LED1

{1,24} B15_LN24 << B15_LN24 LED2

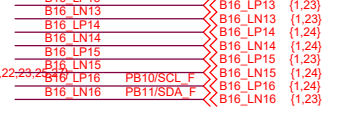
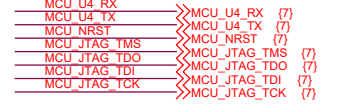
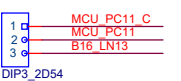
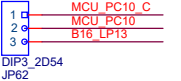
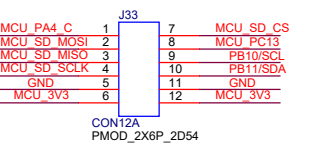
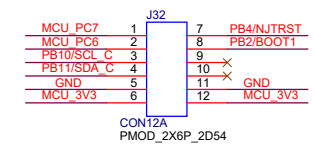
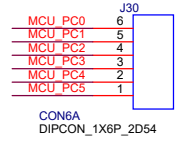
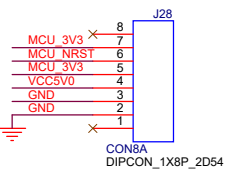
{1,24} B15_IO25 << B15_IO25 LED3

Title		<Title>
Size	Document Number	Rev
A3	<Doc>	<Rev Code>
Date:	Saturday, August 22, 2020	Sheet 4 of 28

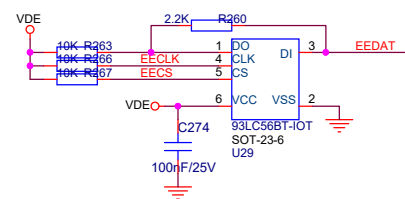
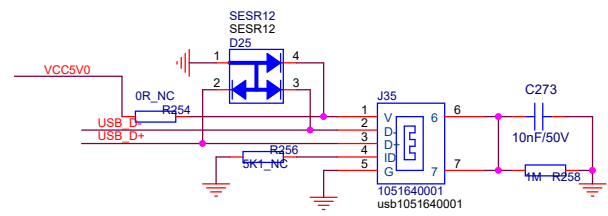
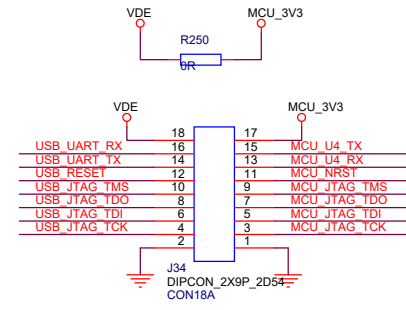
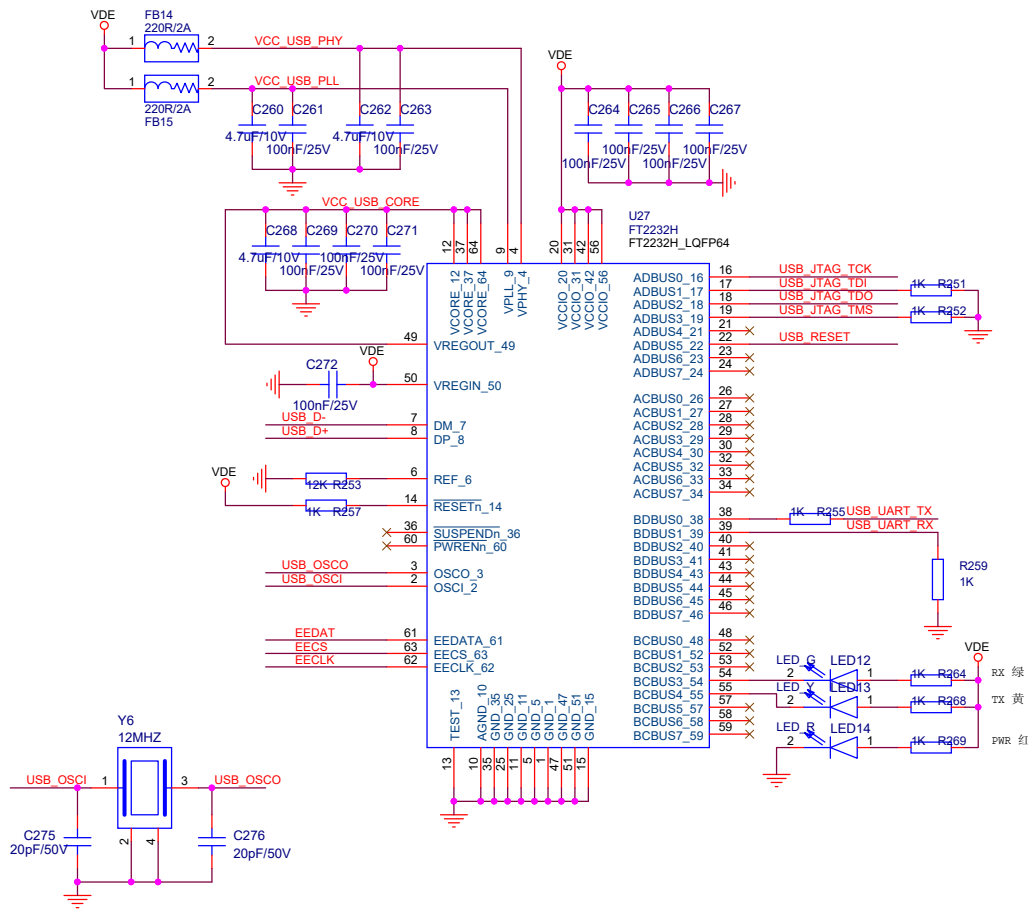


U17
GD32VF103RBT6
GD32VF103RBT6_LQFP64

MCU_VBAT	1	VBAT	64	MCU_3V3
MCU_PC13	2	PC13-TAMPER-RTC	63	GND
PC14/OSC32	3	PC14-OSC32IN	62	MCU_PB9
PC15/OSC32	4	PC15-OSC32OUT	61	MCU_PB8
PD0/OSC	5	OSCIN	60	MCU_BOOT0
PD1/OSC	6	OSCOUT	59	MCU_VBUS_OEn
MCU_NRST	7	NRST	58	MCU_PB6
MCU_PC0	8	PC0	57	MCU_PB5
MCU_PC1	9	PC1	56	PB4/NJTRST
MCU_PC2	10	PC2	55	MCU_JTAG_TDO
MCU_PC3	11	PC3	54	MCU_U4_RX
GND	12	VSSA	53	MCU_U4_TX
MCU_3V3	13	VSSA	52	MCU_PC11
MCU_WAUP	14	VDDA	51	MCU_PC10
MCU_LED_G	15	PA0-WKUP	50	MCU_JTAG_TDI
MCU_LED_R	16	PA2	49	MCU_JTAG_TCK
MCU_LED_B	17	PA3	48	MCU_3V3
GND	18	VDD_2	47	GND
MCU_3V3	19	VSS_2	46	MCU_JTAG_TMS
MCU_PA4	20	VDD_4	45	MCU_USB_DP
MCU_PA5	21	PA4	44	MCU_USB_DN
MCU_PA6	22	PA5	43	MCU_USB_ID
MCU_PA7	23	PA6	42	MCU_USB_VBUS
MCU_PC5	24	PA7	41	MCU_PA3
MCU_PB0	25	PC4	40	MCU_PC9
MCU_PB1	26	PC5	39	MCU_PC8
PB2/BOOT1	27	PB0	38	MCU_PC7
PB10/SCL_C	28	PC7	37	MCU_PC6
PB11/SDA_C	29	PB2	36	MCU_SD_MOSI
GND	30	PB10	35	MCU_SD_MISO
MCU_3V3	31	PB11	34	MCU_SD_SCLK
GND	32	VSS_1	33	MCU_SD_CS
MCU_3V3		VDD_1		



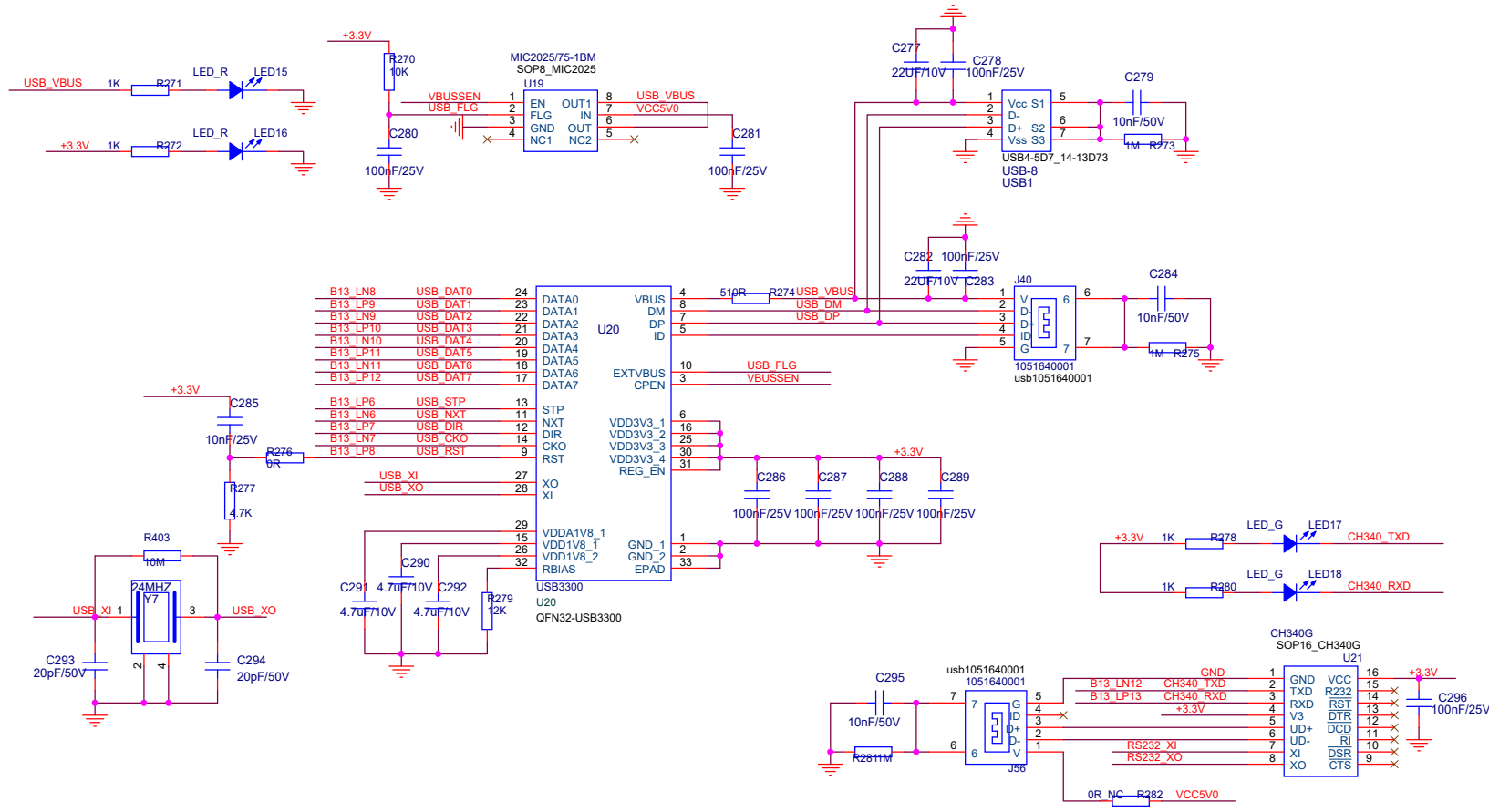
Title	<Title>	Rev	<Rev Code>
Size	A3	Document Number	<Doc>
Date:	Saturday, August 22, 2020	Sheet	6 of 28



MCU_3V3 <> MCU_3V3 (1,5,6,9,16,19)
 VCC5V0 <> VCC5V0 (1,5,6,8,14,16)

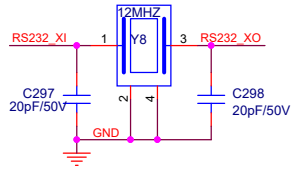
MCU_U4_RX <> MCU_U4_RX (6)
 MCU_U4_TX <> MCU_U4_TX (6)
 MCU_NRST <> MCU_NRST (6)
 MCU_JTAG_TMS <> MCU_JTAG_TMS (6)
 MCU_JTAG_TDO <> MCU_JTAG_TDO (6)
 MCU_JTAG_TDI <> MCU_JTAG_TDI (6)
 MCU_JTAG_TCK <> MCU_JTAG_TCK (6)

Title		<Title>
Size	Document Number	Rev
A3	<Doc>	<Rev Code>
Date:	Saturday, August 22, 2020	Sheet 7 of 28

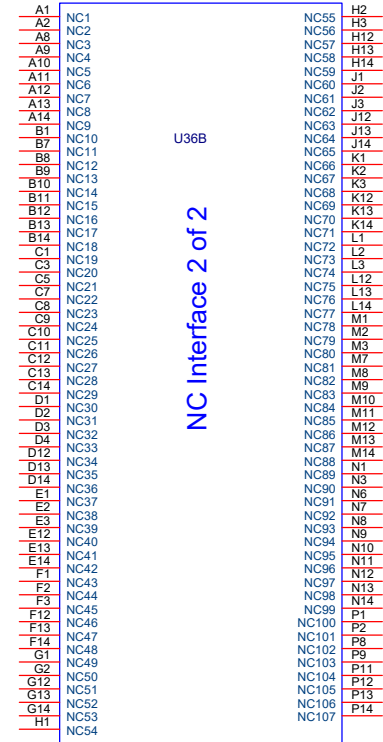
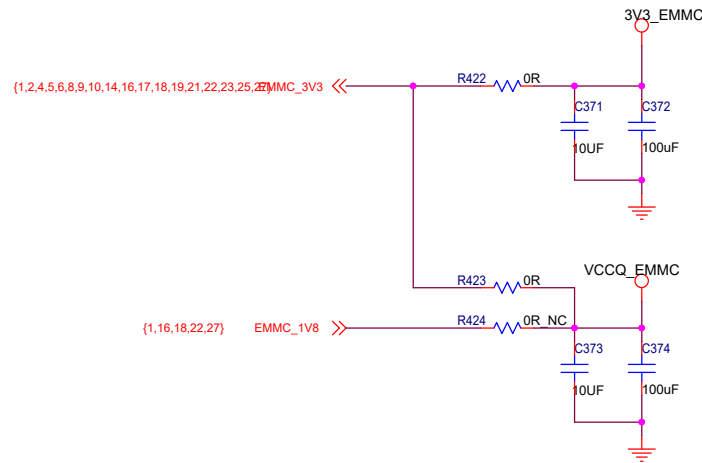
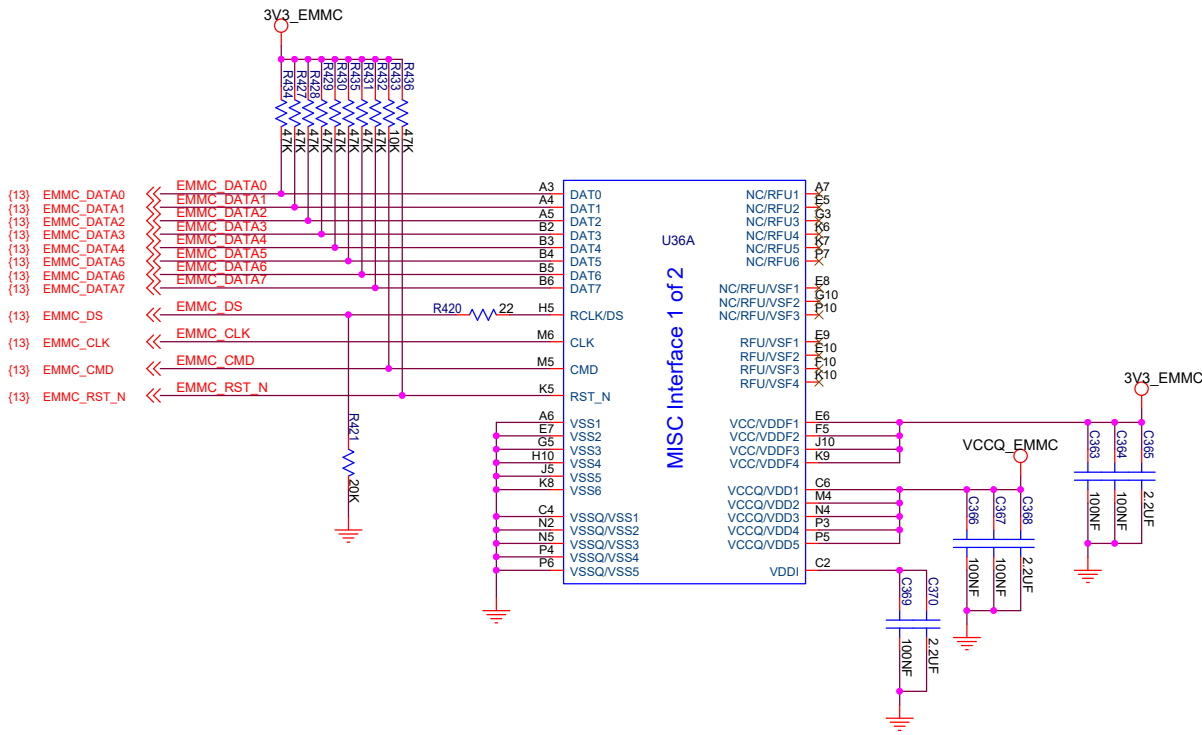


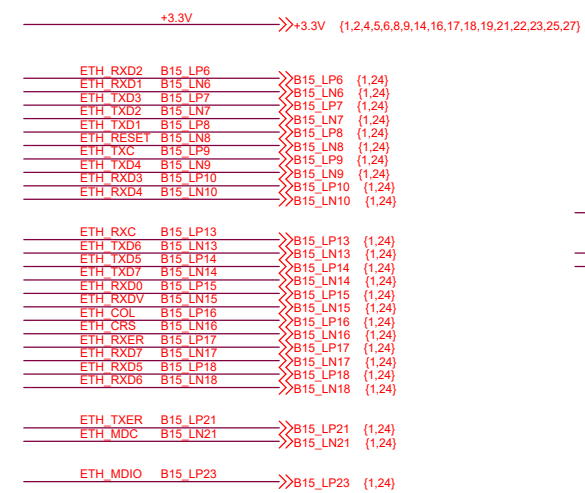
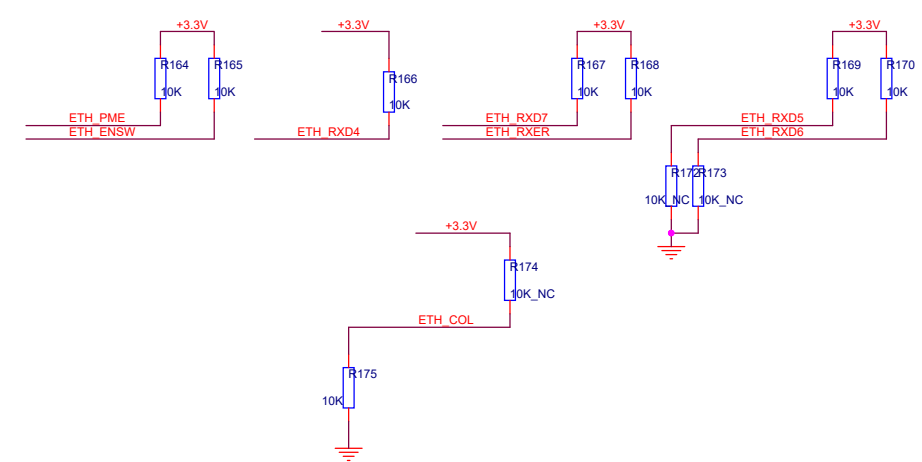
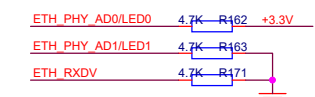
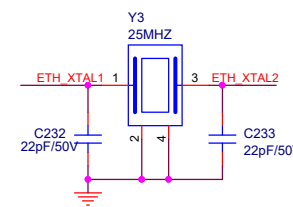
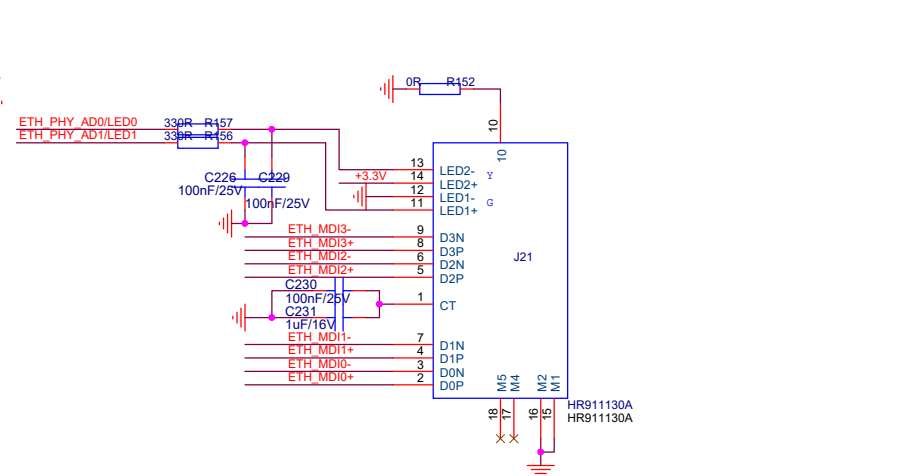
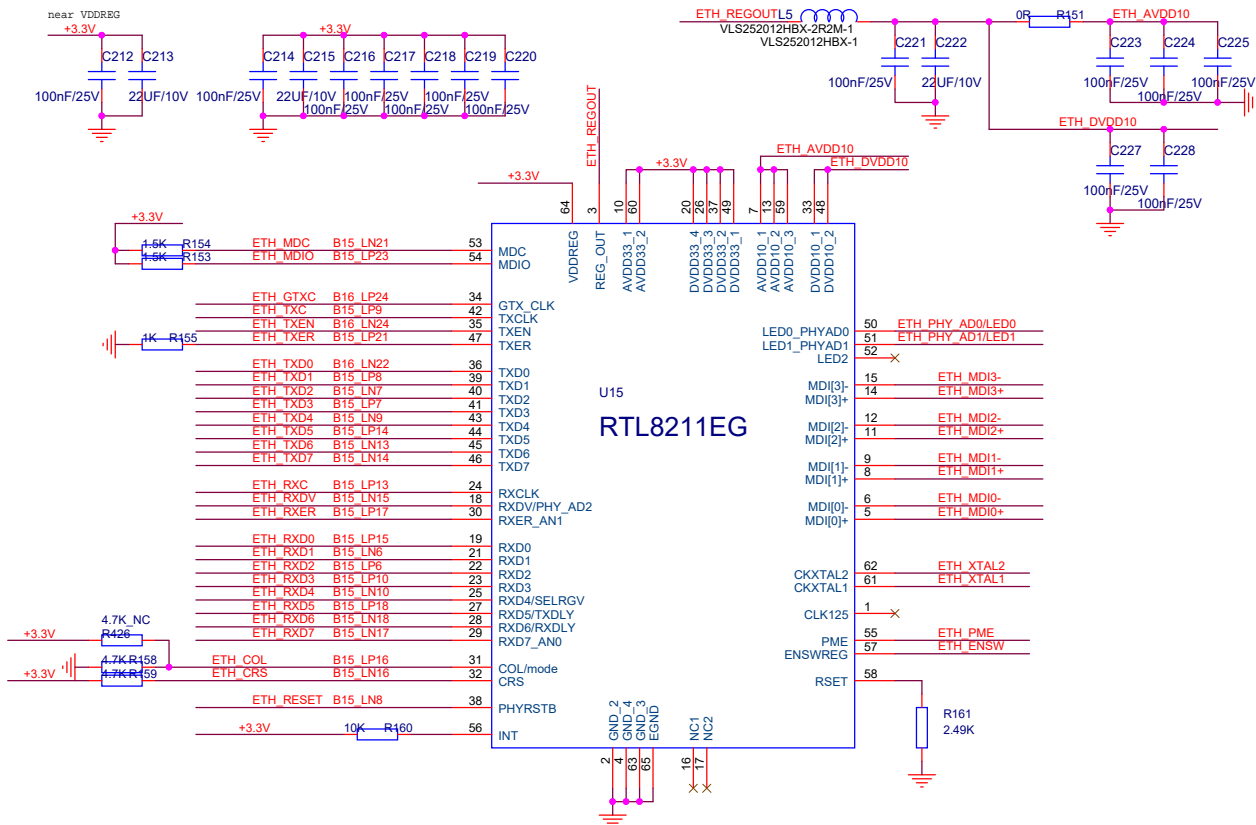
+3.3V >>> +3.3V (1,2,4,5,6,9,10,14,16,17,18,19,21,22,23,25,27)
 VCC5V0 >>> VCC5V0 (1,5,6,7,14,16)

USB_STP	B13 LP6	B13 LP6	(1,23)
USB_NXT	B13 LN6	B13 LN6	(1,23)
USB_DIR	B13 LP7	B13 LP7	(1,23)
USB_CRO	B13 LN7	B13 LN7	(1,23)
USB_RST	B13 LP8	B13 LP8	(1,23)
USB_DATA0	B13 LN8	B13 LN8	(1,23)
USB_DATA1	B13 LP9	B13 LN8	(1,23)
USB_DATA2	B13 LN9	B13 LP9	(1,23)
USB_DATA3	B13 LP10	B13 LN9	(1,23)
USB_DATA4	B13 LN10	B13 LP10	(1,23)
USB_DATA5	B13 LP11	B13 LN10	(1,23)
USB_DATA6	B13 LN11	B13 LP11	(1,23)
USB_DATA7	B13 LP12	B13 LN11	(1,23)
CH340_TXD	B13 LN12	B13 LP12	(1,23)
CH340_RXD	B13 LP13	B13 LN12	(1,23)
		B13 LP13	(1,23)

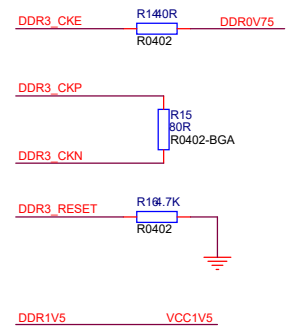
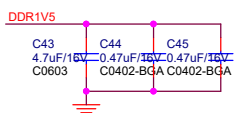
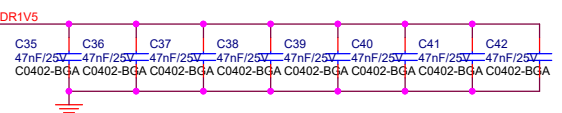
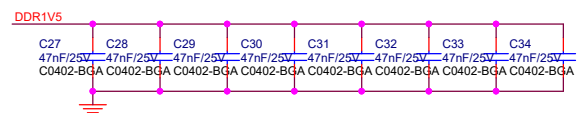
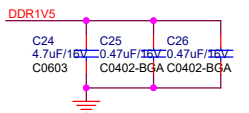
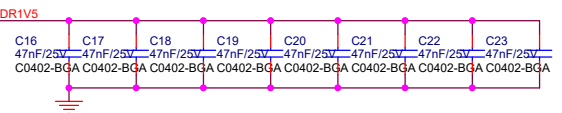
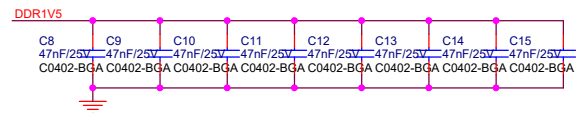
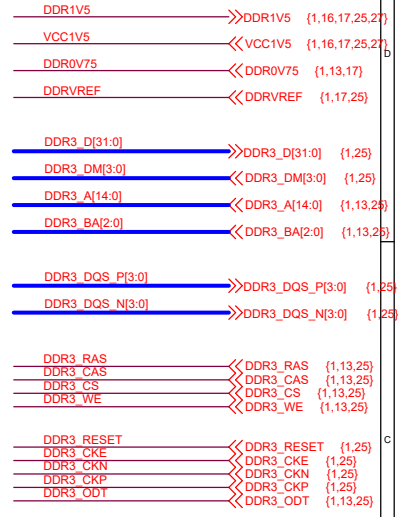
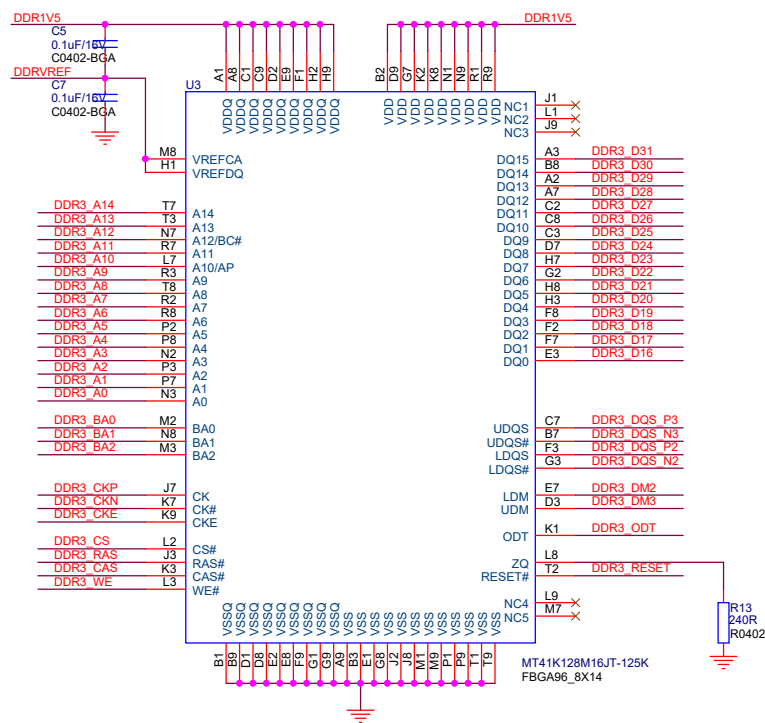
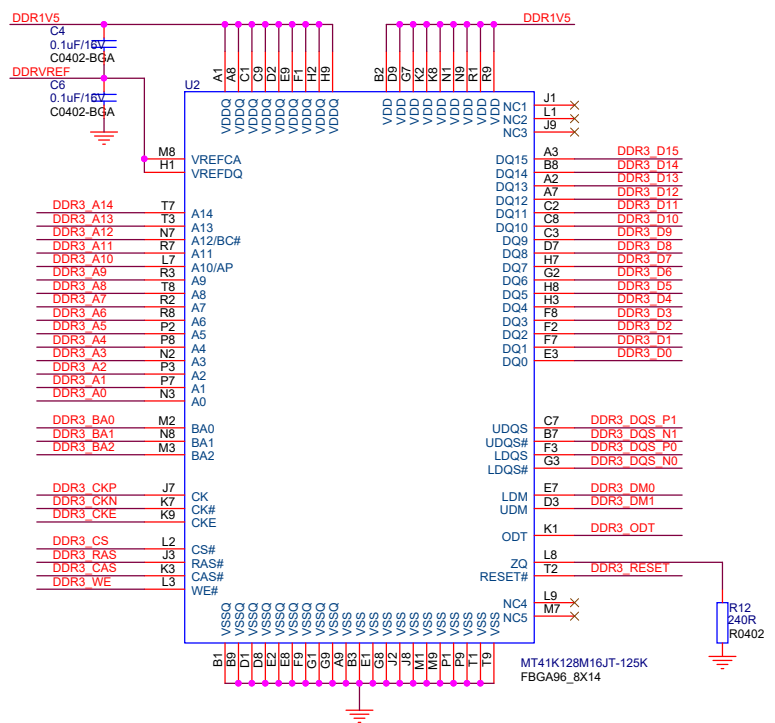


EMMC

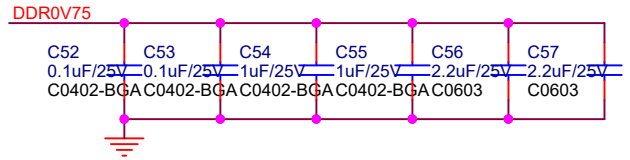
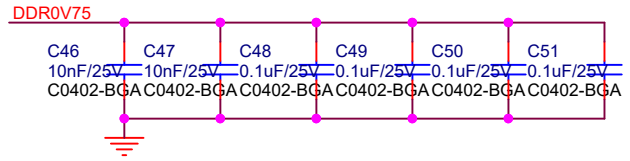
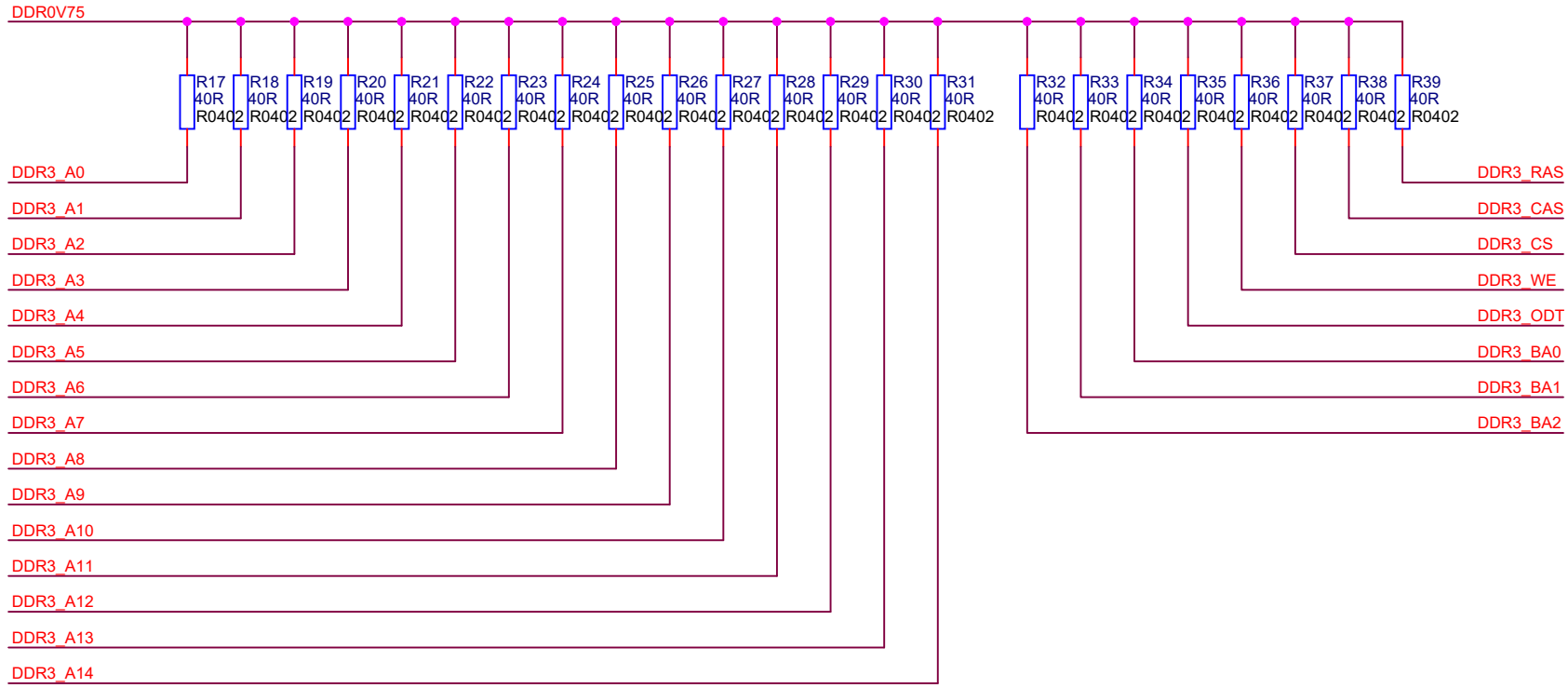




Title	<Title>
Size	A3
Document Number	<Doc>
Date:	Saturday, August 22, 2020
Sheet	10 of 28
Rev	<Rev Code>

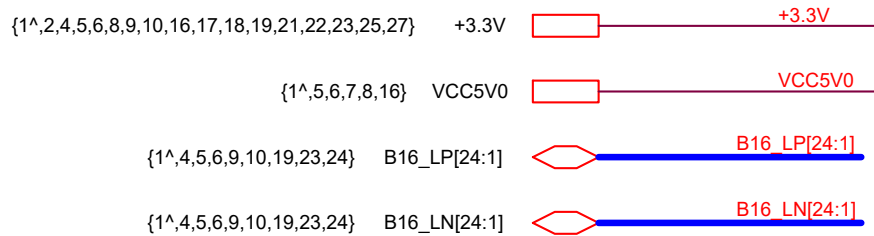
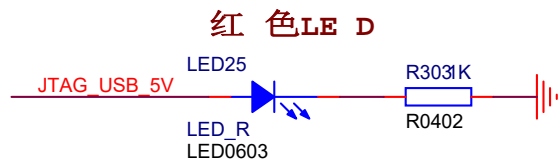
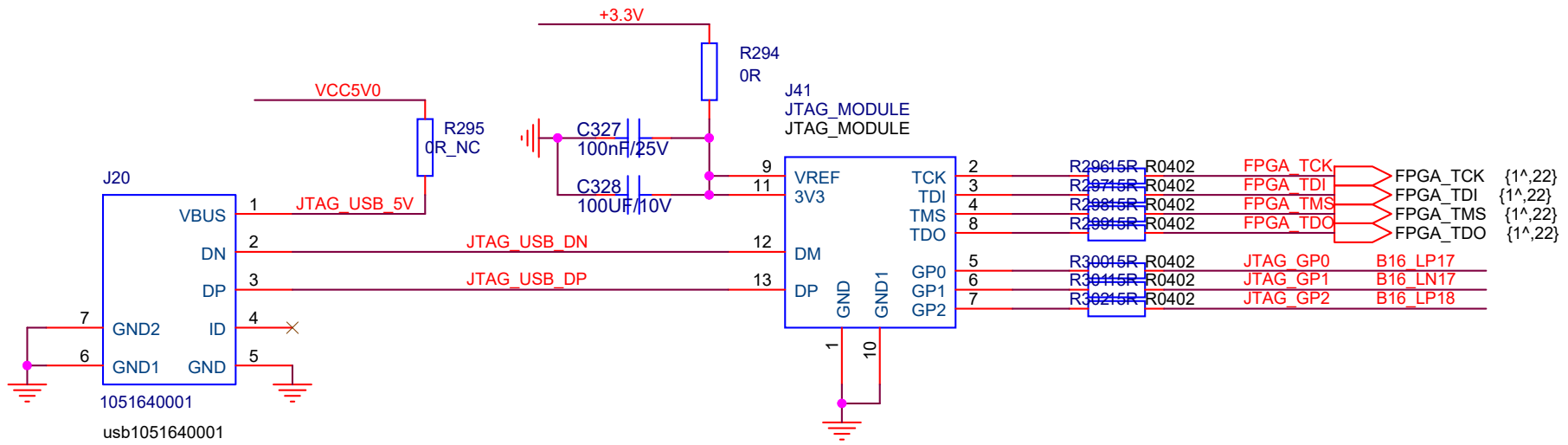


Title		<Title>
Size	A3	Document Number
Date:		Saturday, August 22, 2020
Sheet	13	of 28



- DDR0V75 >> DDR0V75 {1,12,17}
- DDR3_RAS >> DDR3_RAS {1,12,25}
- DDR3_CAS >> DDR3_CAS {1,12,25}
- DDR3_CS >> DDR3_CS {1,12,25}
- DDR3_WE >> DDR3_WE {1,12,25}
- DDR3_ODT >> DDR3_ODT {1,12,25}
- DDR3_BA[2:0] >> DDR3_BA[2:0] {1,12,25}
- DDR3_A[14:0] >> DDR3_A[14:0] {1,12,25}

Title			<Title>
Size	Document Number	Rev	
A4	<Doc>	<RevC>	
Date:	Saturday, August 22, 2020	Sheet	14 of 28



Title		
<Title>		
Size	Document Number	Rev
A	<Doc>	<RevCode>
Date:	Saturday, August 22, 2020	Sheet 15 of 28

D

D

{1^,5,6,7,8,14,16} VCC5V0  VCC5V0 >> VCC5V0 {1,5,6,7,8,14,16}

{1^,16,27} VCC1V0  VCC1V0 << VCC1V0 {1,16,27}

{1^,16,18,22,27} VCC1V8  VCC1V8 << VCC1V8 {1,16,18,22,27}

{1^,2,4,5,6,8,9,10,14,16,17,18,19,21,22,23,25,27} VCC3V3  VCC3V3 << VCC3V3 {1,2,4,5,6,8,9,10,14,16,17,18,19,21,22,23,25,27}

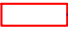
{1^,5,6,7,9,16,19} VCC3V3B  VCC3V3B << VCC3V3B {1,5,6,7,9,16,19}

{1^,12,16,17,25,27} VCC1V5  VCC1V5 << VCC1V5 {1,12,16,17,25,27}

{1^,12,13,17} DDR0V75  DDR0V75 << DDR0V75 {1,12,13,17}

{1^,12,17,25} DDRVREF  DDRVREF << DDRVREF {1,12,17,25}

{1^,17,19,23} PS_POR_B  PS_POR_B << PS_POR_B {1,17,19,23}

{1^,18,26} MGTAVTT  MGTAVTT << MGTAVTT {1,18,26}

{1^,18,26} MGTAVCC  MGTAVCC << MGTAVCC {1,18,26}

{1^,2,16} VCC2V5  VCC2V5 << VCC2V5 {1,2,16}

C

C

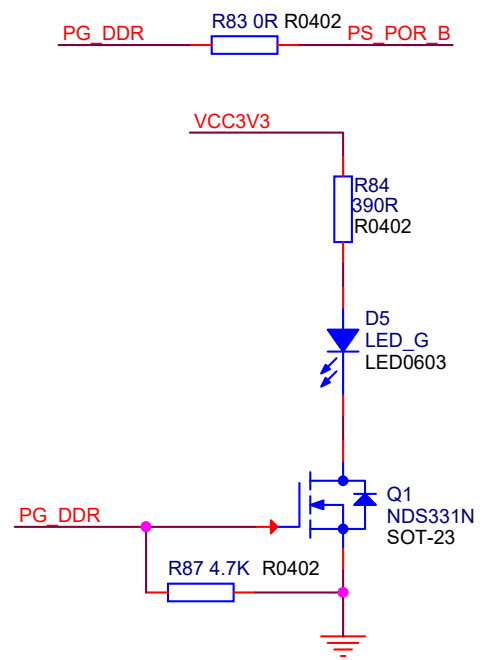
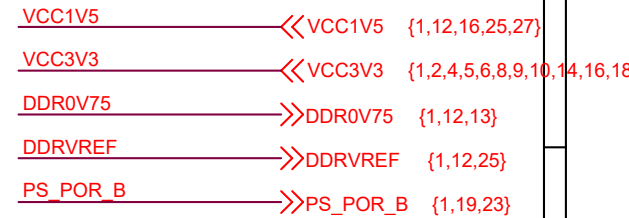
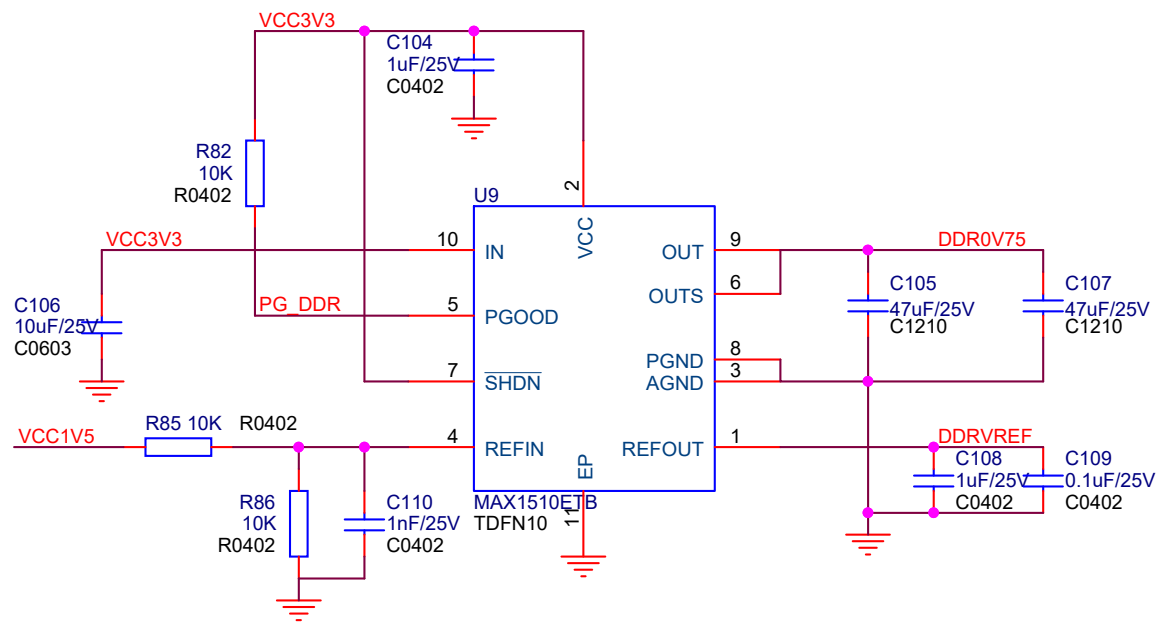
B

B

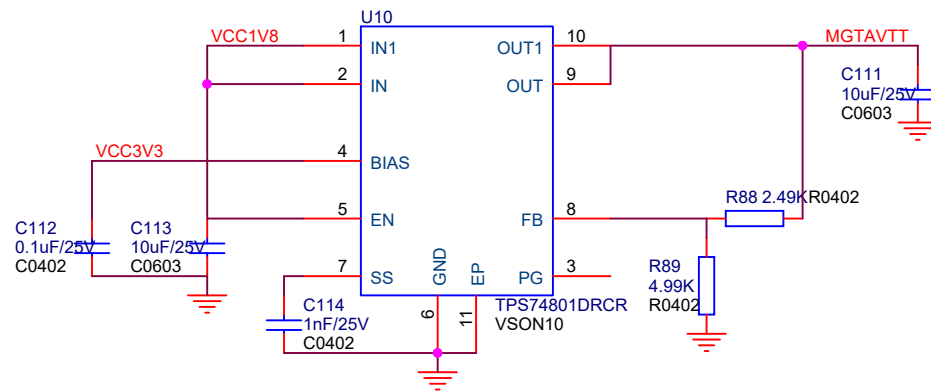
A

A

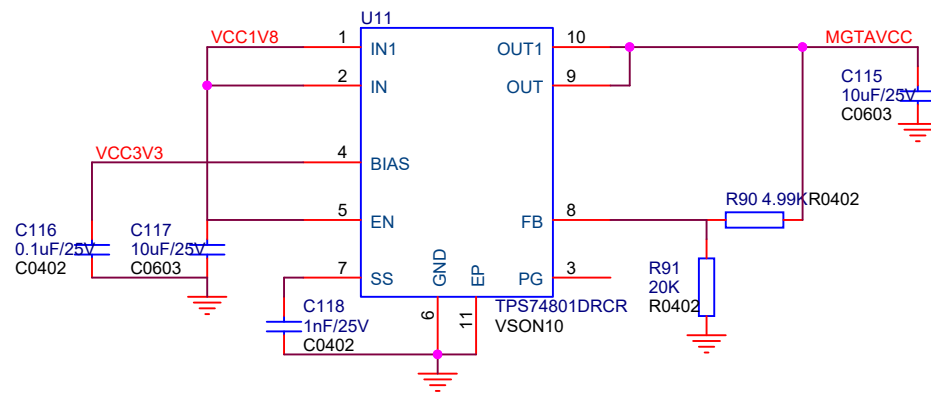
Title		
<Title>		
Size	Document Number	Rev
A	<Doc>	<RevCode>
Date:	Saturday, August 22, 2020	Sheet 16 of 28



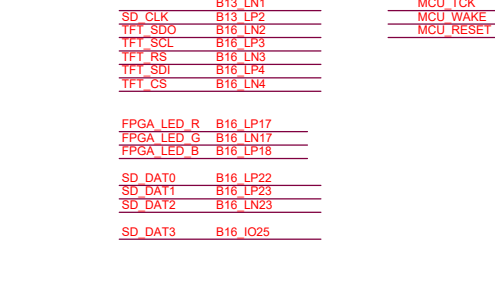
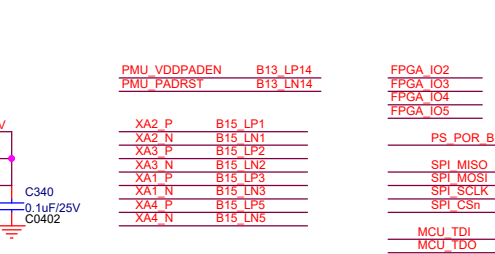
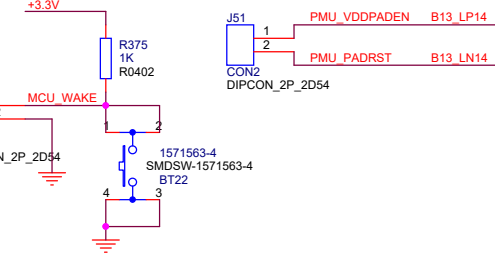
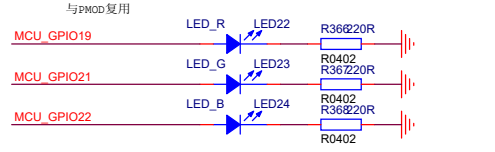
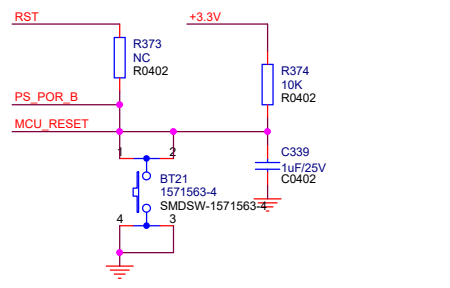
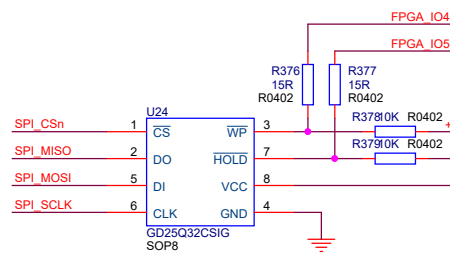
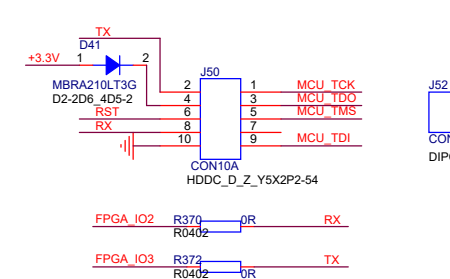
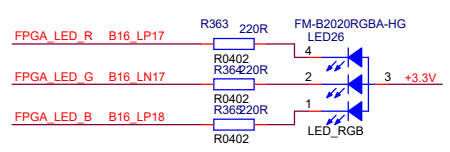
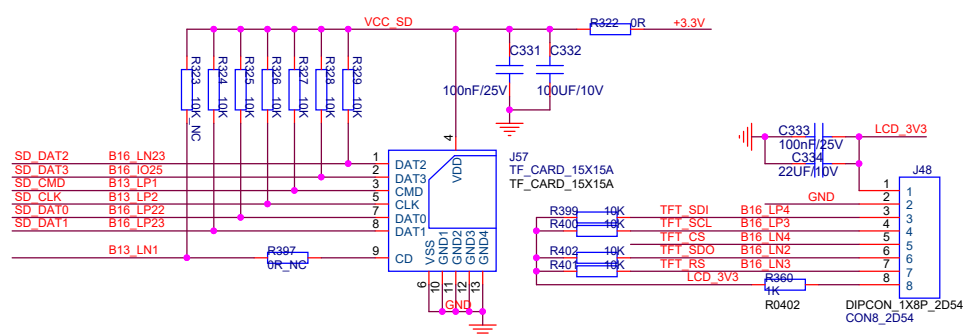
Title <Title>		
Size A	Document Number <Doc>	Rev <RevCode>
Date:	Saturday, August 22, 2020	Sheet 18 of 28



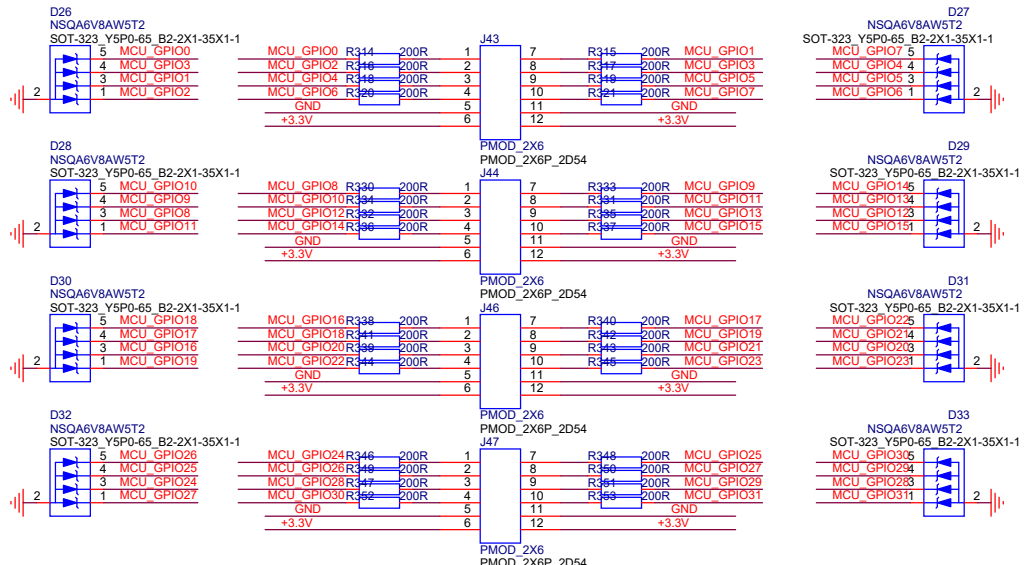
VCC1V8 <<VCC1V8 {1,16,22,27}
 VCC3V3 <<VCC3V3 {1,2,4,5,6,8,9,10,14,16,17,19,21,22,23,25,27}
 MGTAVTT >>MGTAVTT {1,26}
 MGTAVCC >>MGTAVCC {1,26}



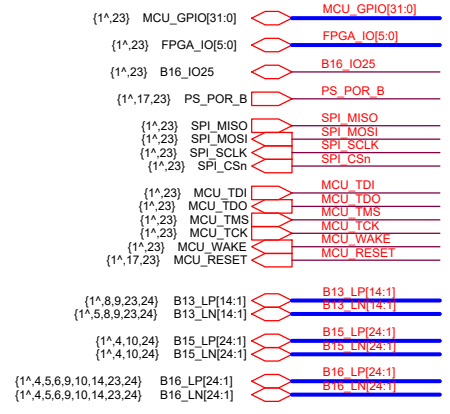
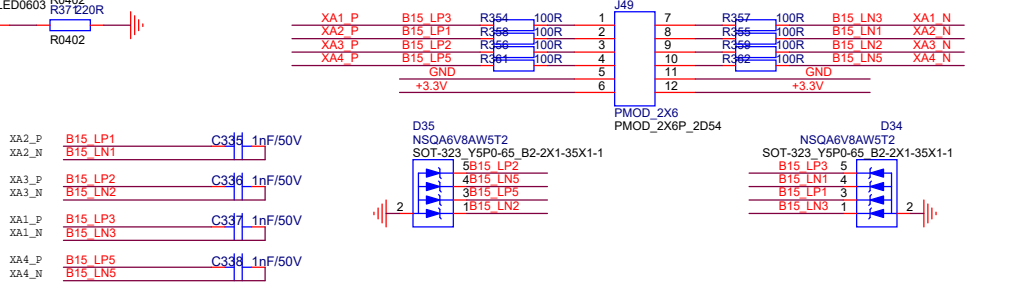
Title		
<Title>		
Size	Document Number	Rev
A4	<Doc>	<RevC>
Date:	Saturday, August 22, 2020	Sheet 19 of 28



PMOD数字接口



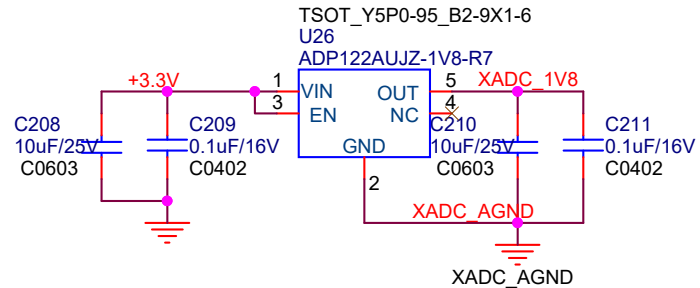
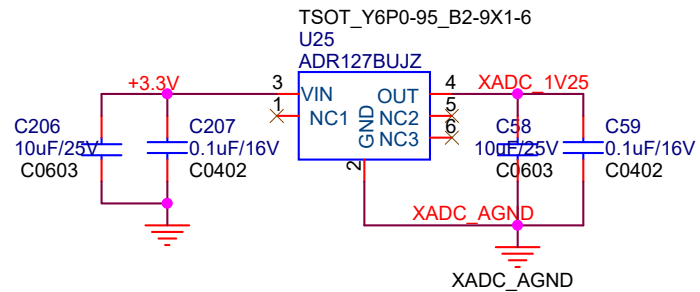
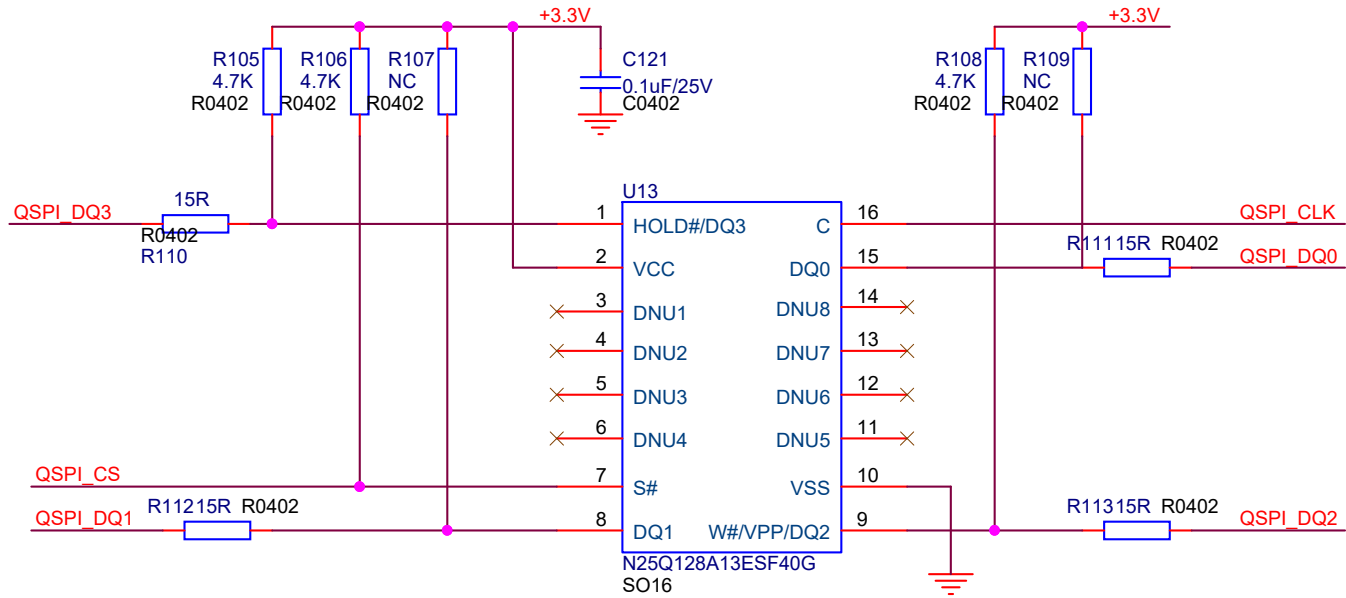
PMOD模拟接口



Title	<Title>	
Size	Document Number	Rev
A3	<Doc>	<Rev Code>
Date:	Saturday, August 22, 2020	Sheet 20 of 28



Title			<Title>
Size	Document Number		Rev
A4	<Doc>		<Rev>
Date:	Saturday, August 22, 2020	Sheet	21 of 28



XADC_1V8 << XADC_1V8 {22}

XADC_1V25 << XADC_1V25 {22}

XADC_AGND << XADC_AGND {22}

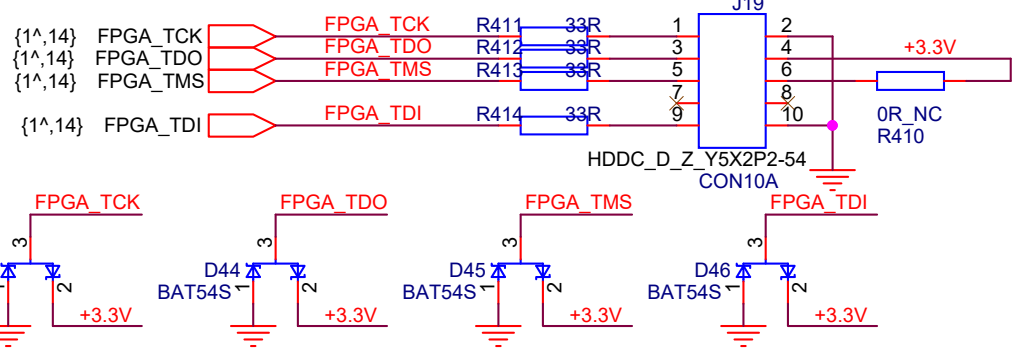
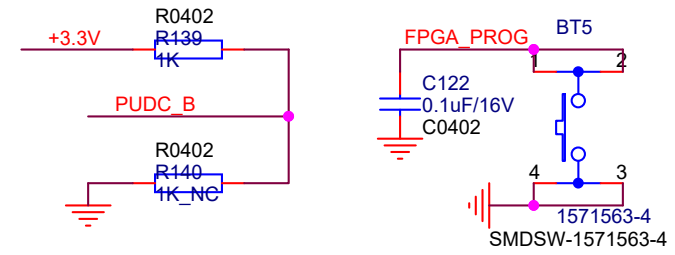
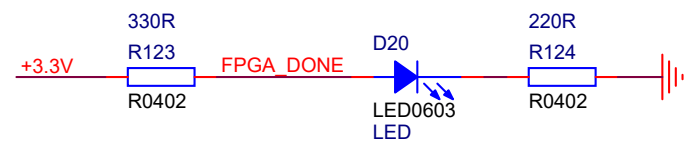
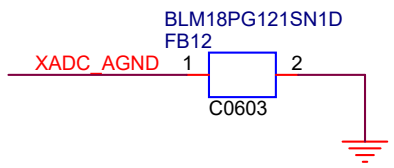
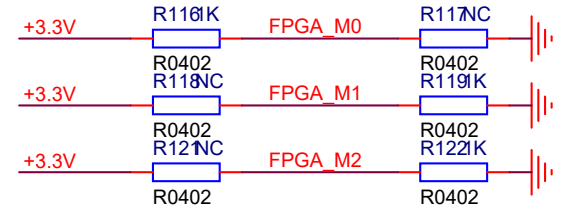
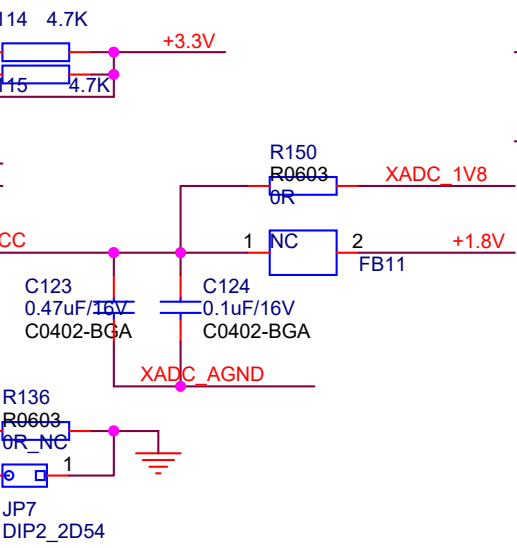
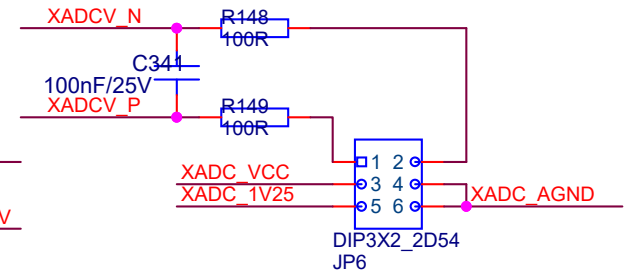
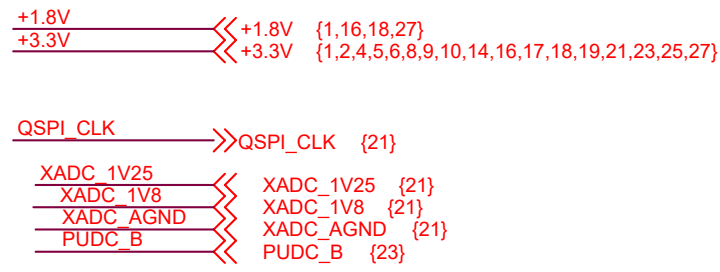
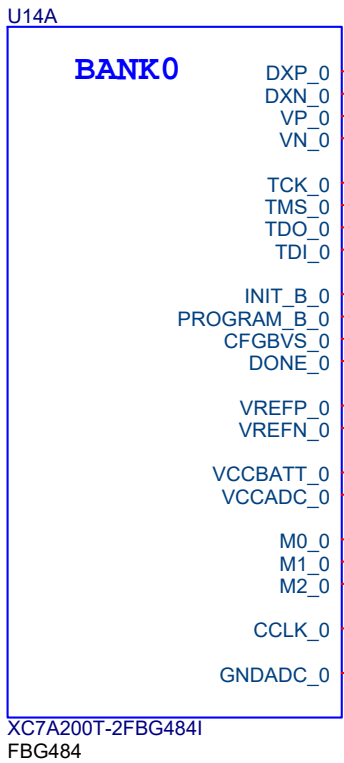
+3.3V << +3.3V {1,2,4,5,6,8,9,10,14,16,17,18,19,22,23,25,27}

QSPI_CLK << QSPI_CLK {22}

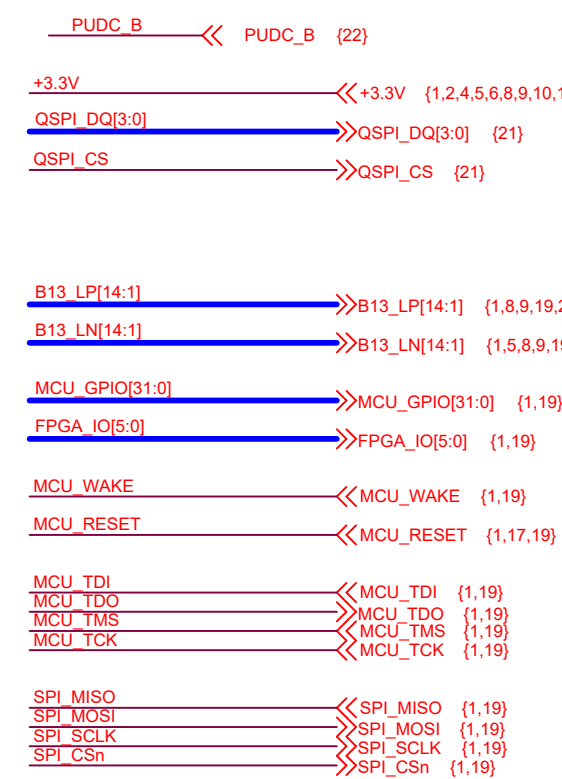
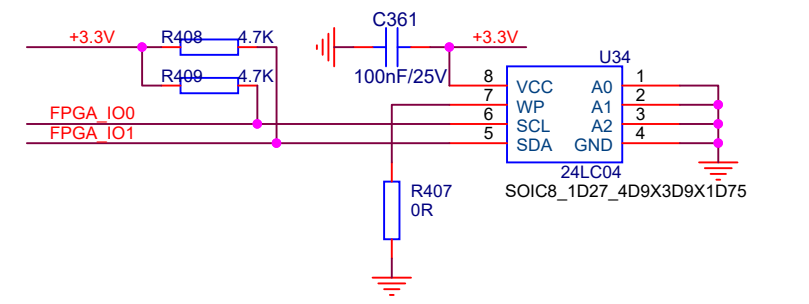
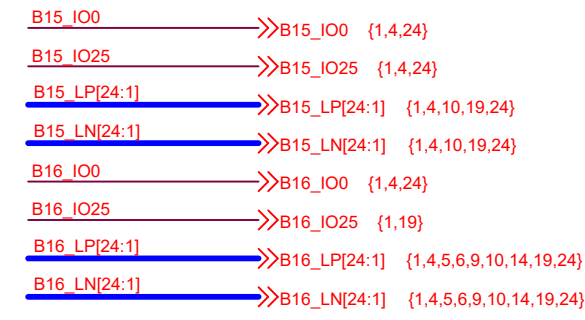
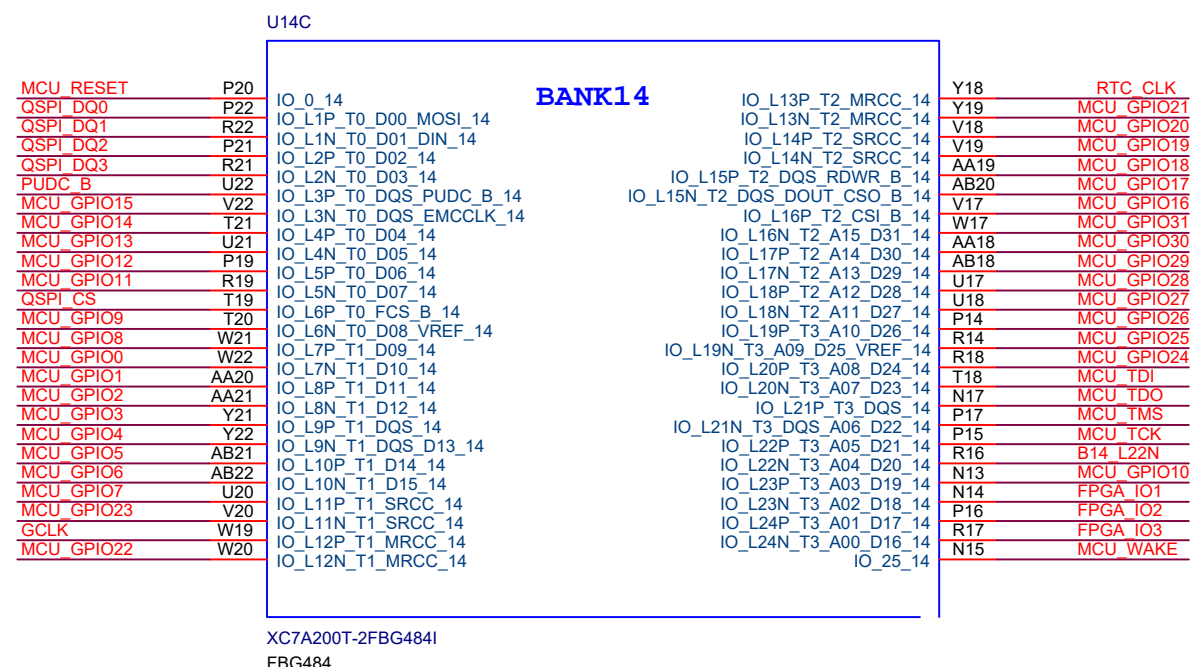
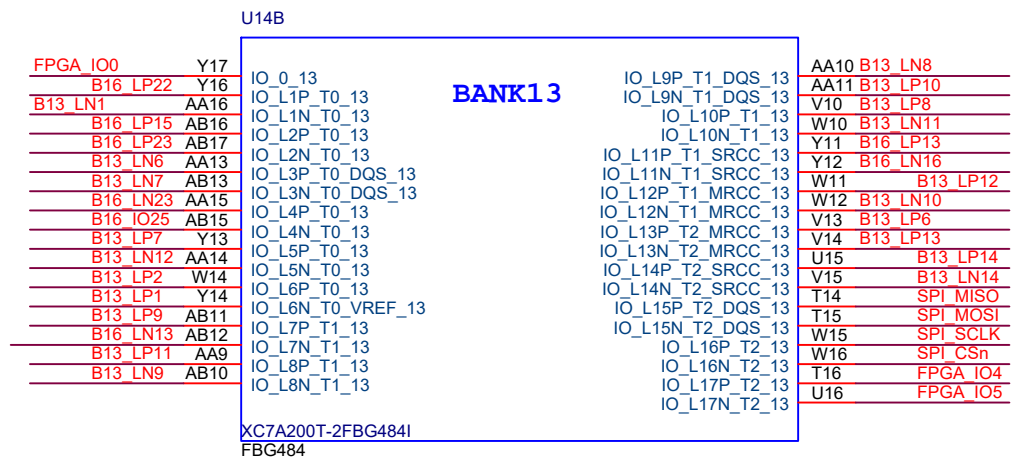
QSPI_DQ[3:0] << QSPI_DQ[3:0] {23}

QSPI_CS << QSPI_CS {23}

Title		
<Title>		
Size	Document Number	Rev
A	<Doc>	<RevCode>
Date:	Saturday, August 22, 2020	Sheet 22 of 28



Title		
<Title>		
Size	Document Number	Rev
Custom	<Doc>	<Rev Code>
Date:	Saturday, August 22, 2020	Sheet 23 of 28



Title		
<Title>		
Size	Document Number	Rev
A4	<Doc>	<RevC>
Date:	Saturday, August 22, 2020	Sheet 24 of 28

U14D

		BANK15			
	B15_LN23 J16	IO_0_15	IO_L13P_T2_MRCC_15	K18	B15_LP13 RXC
XA2_P	B15_LP1 H13	IO_L1P_T0_AD0P_15	IO_L13N_T2_MRCC_15	K19	B15_LN13 TXD6
XA2_N	B15_LN1 G13	IO_L1N_T0_AD0N_15	IO_L14P_T2_SRCC_15	L19	B15_LP14 TXD5
XA3_P	B15_LP2 G15	IO_L2P_T0_AD8P_15	IO_L14N_T2_SRCC_15	L20	B15_LN14 TXD7
XA3_N	B15_LN2 G16	IO_L2N_T0_AD8N_15	IO_L15P_T2_DQS_15	N22	B15_LP15 RXD0
XA1_P	B15_LP3 J14	IO_L3P_T0_DQS_AD1P_15	IO_L16P_T2_A28_15	M22	B15_LN15 RXD5
XA1_N	B15_LN3 H14	IO_L3N_T0_DQS_AD1N_15	IO_L16N_T2_A27_15	M18	B15_LP16 COL
	B16_LP7 G17	IO_L4P_T0_15	IO_L17P_T2_A26_15	L18	B15_LN16 CRS
	B16_LP6 G18	IO_L4N_T0_15	IO_L17N_T2_A25_15	N18	B15_LP17 RXER
XA4_P	B15_LP5 J15	IO_L5P_T0_AD9P_15	IO_L18P_T2_A24_15	N19	B15_LN17 RXD7
XA4_N	B15_LN5 H15	IO_L5N_T0_AD9N_15	IO_L18N_T2_A23_15	N20	B15_LP18
RXD2	B15_LP6 H17	IO_L6P_T0_15	IO_L19P_T3_A22_15	M20	B15_LN18 RXD6
RXD1	B15_LN6 H18	IO_L6N_T0_VREF_15	IO_L20P_T3_A20_15	K13	B16_LN15
TXD3	B15_LP7 J22	IO_L7P_T1_AD2P_15	IO_L20N_T3_A19_15	K14	B16_LP14
TXD2	B15_LN7 H22	IO_L7N_T1_AD2N_15	IO_L21P_T3_DQS_15	M13	B16_LP16
TXD1	B15_LP8 H20	IO_L8P_T1_AD10P_15	IO_L21N_T3_DQS_A18_15	L13	B16_LN14
RESET	B15_LN8 G20	IO_L8N_T1_AD10N_15	IO_L22P_T3_A17_15	K17	B15_LP21
	B15_LP9 K21	IO_L9P_T1_DQS_AD3P_15	IO_L22N_T3_A16_15	J17	B15_LN21 MDC
TXD4	B15_LN9 K22	IO_L9N_T1_DQS_AD3N_15	IO_L23P_T3_FOE_B_15	L14	B16_LN4
RXD3	B15_LP10 M21	IO_L10P_T1_AD11P_15	IO_L23N_T3_FWE_B_15	L15	B16_LN2
RXD4	B15_LN10 L21	IO_L10N_T1_AD11N_15	IO_L24P_T3_RS0_15	L16	B15_LP23 MDIO
	B16_LN6 J20	IO_L11P_T1_SRCC_15	IO_L24N_T3_RS0_15	K16	B16_LN3
	B16_LN7 J21	IO_L11N_T1_SRCC_15	IO_25_15	M15	B16_LP4
	B16_LP5 J19	IO_L12P_T1_MRCC_15		M16	B16_LP3
	B16_LN8 H19	IO_L12N_T1_MRCC_15		M17	EMMC_DATA1

XC7A200T-2FBG484I
FBG484

EMMC_DS	EMMC_DS {13}
EMMC_CLK	EMMC_CLK {13}
EMMC_CMD	EMMC_CMD {13}
EMMC_RST_N	EMMC_RST_N {13}
EMMC_DATA0	EMMC_DATA0 {1,8,9,19,23,24}
EMMC_DATA1	EMMC_DATA1 {1,8,9,19,23,24}
EMMC_DATA2	EMMC_DATA2 {1,8,9,19,23,24}
EMMC_DATA3	EMMC_DATA3 {1,8,9,19,23,24}
EMMC_DATA4	EMMC_DATA4 {1,8,9,19,23,24}
EMMC_DATA5	EMMC_DATA5 {1,8,9,19,23,24}
EMMC_DATA6	EMMC_DATA6 {1,8,9,19,23,24}
EMMC_DATA7	EMMC_DATA7 {1,8,9,19,23,24}

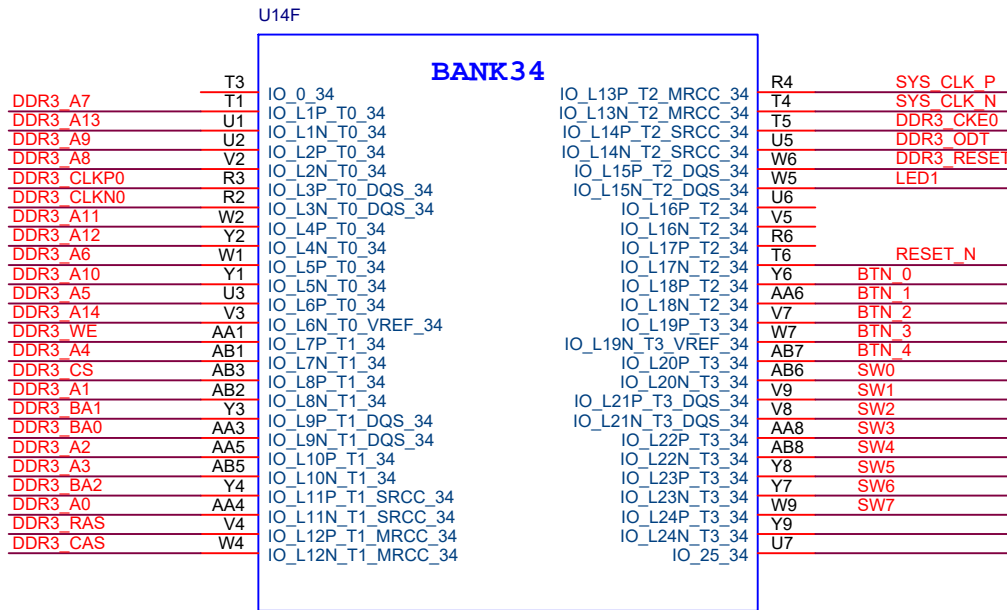
U14E

		BANK16			
	B13_LN13 F15	IO_0_16	IO_L13P_T2_MRCC_16	C18	B15_LN22
	B13_LN5 F13	IO_L1P_T0_16	IO_L13N_T2_MRCC_16	C19	B16_LN10
	B13_LN4 F14	IO_L1N_T0_16	IO_L14P_T2_SRCC_16	E19	B15_IO25
	B13_LP5 F16	IO_L2P_T0_16	IO_L14N_T2_SRCC_16	D19	B16_LN1
	EMMC_DATA2 E17	IO_L2N_T0_16	IO_L15P_T2_DQS_16	F18	B15_LN24
	B16_LP19 C14	IO_L3P_T0_DQS_16	IO_L15N_T2_DQS_16	E18	EMMC_DATA4
	B16_LN20 C15	IO_L3N_T0_DQS_16	IO_L16P_T2_16	B20	B16_LP11
	B16_LP17 E13	IO_L4P_T0_16	IO_L16N_T2_16	A20	B16_LN12
	B13_LP3 E14	IO_L4N_T0_16	IO_L17P_T2_16	A18	B16_LP10
	B13_LN3 E16	IO_L5P_T0_16	IO_L17N_T2_16	A19	B16_LN9
	B13_LP4 D16	IO_L5N_T0_16	IO_L18P_T2_16	F19	B16_LP8
	B16_LN17 D14	IO_L6P_T0_16	IO_L18N_T2_16	F20	B16_LN5
	B13_LN2 D15	IO_L6N_T0_VREF_16	IO_L19P_T3_16	D20	EMMC_DATA5
	B16_LN19 B15	IO_L7P_T1_16	IO_L19N_T3_VREF_16	C20	EMMC_DATA6
	B16_LP20 B16	IO_L7N_T1_16	IO_L20P_T3_16	C22	B16_LN21
	B16_LN18 C13	IO_L8P_T1_16	IO_L20N_T3_16	B22	B16_LP21
	B16_LP18 B13	IO_L8N_T1_16	IO_L21P_T3_DQS_16	B21	B16_LP12
	EMMC_CLK A15	IO_L9P_T1_DQS_16	IO_L21N_T3_DQS_16	A21	B16_LN11
	EMMC_DATA0 A16	IO_L9N_T1_DQS_16	IO_L22P_T3_16	E22	B15_LP24
	EMMC_RST_N A13	IO_L10P_T1_16	IO_L22N_T3_16	D22	B16_LN22 TXD0
	EMMC_DS A14	IO_L10N_T1_16	IO_L23P_T3_16	E21	EMMC_DATA3
	EMMC_CMD B17	IO_L11P_T1_SRCC_16	IO_L23N_T3_16	D21	B16_IO0
	EMMC_DATA7 B18	IO_L11N_T1_SRCC_16	IO_L24P_T3_16	G21	B16_LP24 GTXC
	B16_LP1 D17	IO_L12P_T1_MRCC_16	IO_L24N_T3_16	G22	B16_LN24 TXEN
	B16_LP2 C17	IO_L12N_T1_MRCC_16	IO_25_16	F21	B16_LP9

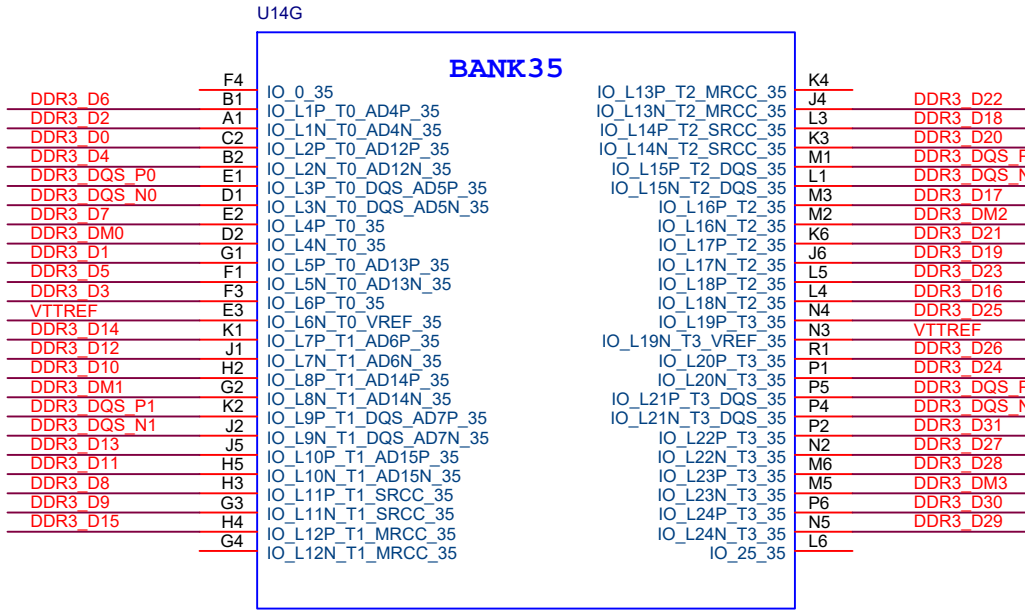
XC7A200T-2FBG484I
FBG484

B13_LP[14:1]	B13_LP[14:1] {1,8,9,19,23}
B13_LN[14:1]	B13_LN[14:1] {1,5,8,9,19,23}
MCU_GPIO[31:0]	MCU_GPIO[31:0] {1,19,23}
FPGA_IO[5:0]	FPGA_IO[5:0] {1,19,23}
B15_IO0	B15_IO0 {1,4}
B15_IO25	B15_IO25 {1,4}
B15_LP[24:1]	B15_LP[24:1] {1,4,10,19}
B15_LN[24:1]	B15_LN[24:1] {1,4,10,19}
B16_IO0	B16_IO0 {1,4}
B16_IO25	B16_IO25 {1,19,23}
B16_LP[24:1]	B16_LP[24:1] {1,4,5,6,9,10,14,19,23}
B16_LN[24:1]	B16_LN[24:1] {1,4,5,6,9,10,14,19,23}

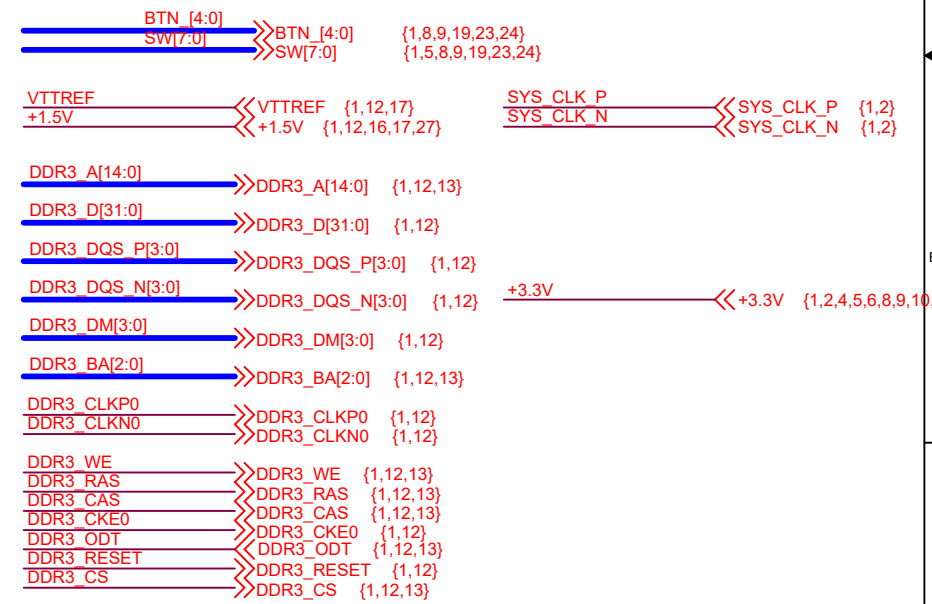
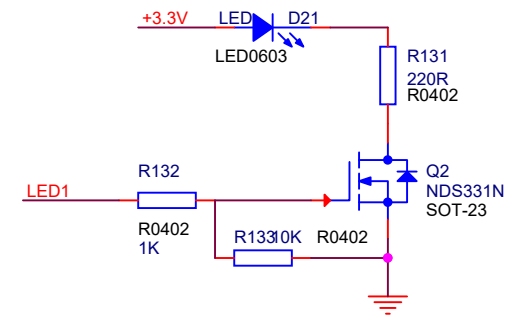
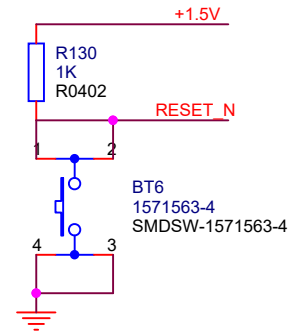
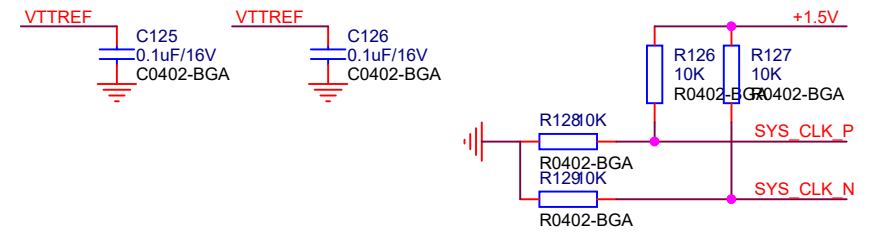
Title		
<Title>		
Size	Document Number	Rev
A4	<Doc>	<RevC>
Date:	Saturday, August 22, 2020	Sheet 25 of 28



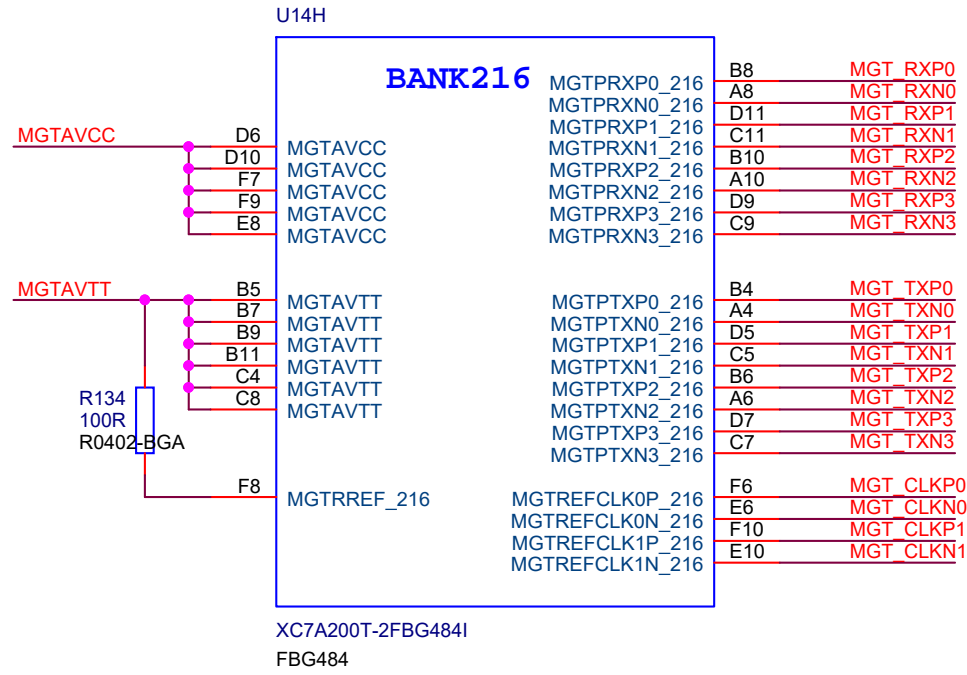
XC7A200T-2FBG484I
FBG484



XC7A200T-2FBG484I
FBG484

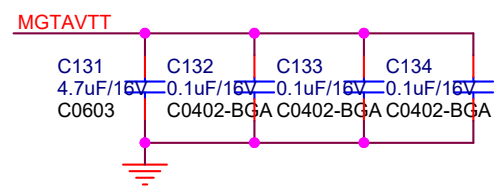
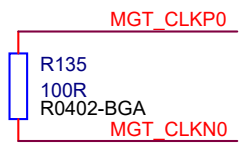
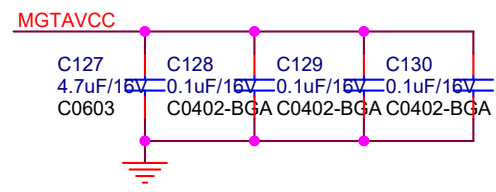


Title			<Title>
Size	Document Number	Rev	
A4	<Doc>	<Rev C>	
Date:	Saturday, August 22, 2020	Sheet	26 of 28

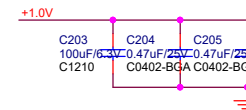
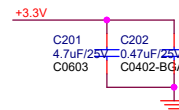
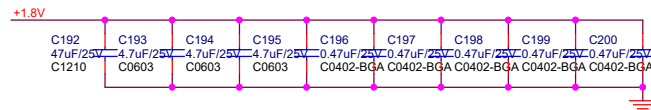
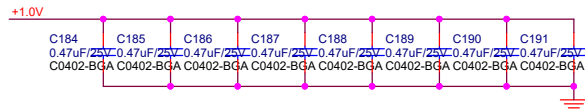
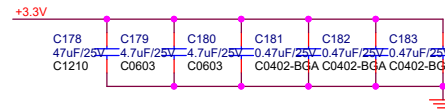
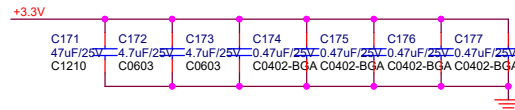
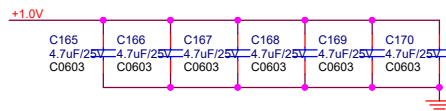
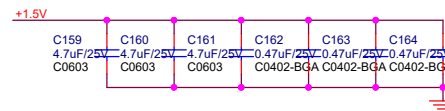
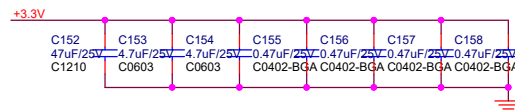
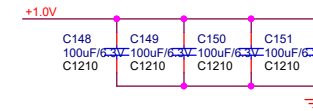
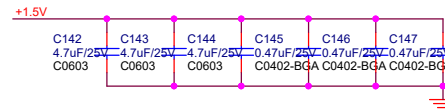
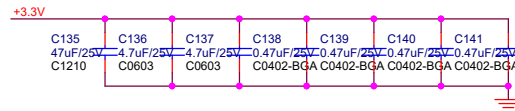
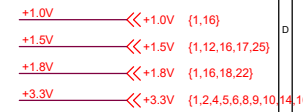
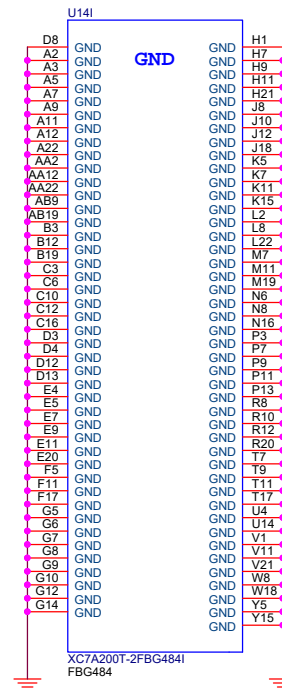
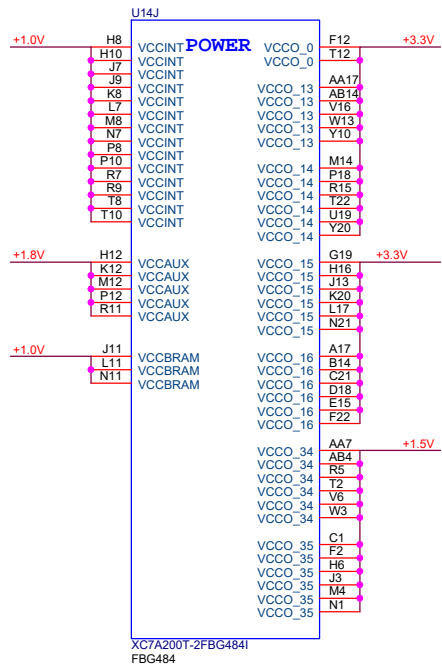


- B8 MGT_RXP0
- A8 MGT_RXN0
- D11 MGT_RXP1
- C11 MGT_RXN1
- B10 MGT_RXP2
- A10 MGT_RXN2
- D9 MGT_RXP3
- C9 MGT_RXN3
- B4 MGT_TXP0
- A4 MGT_TXN0
- D5 MGT_TXP1
- C5 MGT_TXN1
- B6 MGT_TXP2
- A6 MGT_TXN2
- D7 MGT_TXP3
- C7 MGT_TXN3
- F6 MGT_CLKP0
- E6 MGT_CLKN0
- F10 MGT_CLKP1
- E10 MGT_CLKN1

- MGTAVCC << MGTAVCC {1,18}
- MGTAVTT << MGTAVTT {1,18}
- MGT_TXP[3:0] >> MGT_TXP[3:0] {1,5}
- MGT_TXN[3:0] >> MGT_TXN[3:0] {1,5}
- MGT_RXP[3:0] << MGT_RXP[3:0] {1,5}
- MGT_RXN[3:0] << MGT_RXN[3:0] {1,5}
- MGT_CLKP0 << MGT_CLKP0 {1,2}
- MGT_CLKN0 << MGT_CLKN0 {1,2}
- MGT_CLKP1 << MGT_CLKP1 {1,5}
- MGT_CLKN1 << MGT_CLKN1 {1,5}



Title <Title>		
Size A	Document Number <Doc>	Rev <RevCode>
Date:	Saturday, August 22, 2020	Sheet 27 of 28



Title		<Title>
Size	A3	Document Number <Doc>
Date:	Saturday, August 22, 2020	Sheet 28 of 28